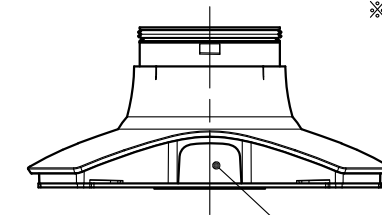
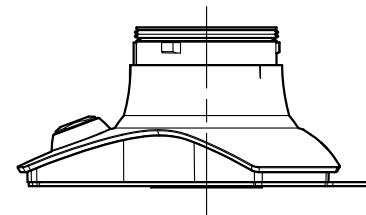
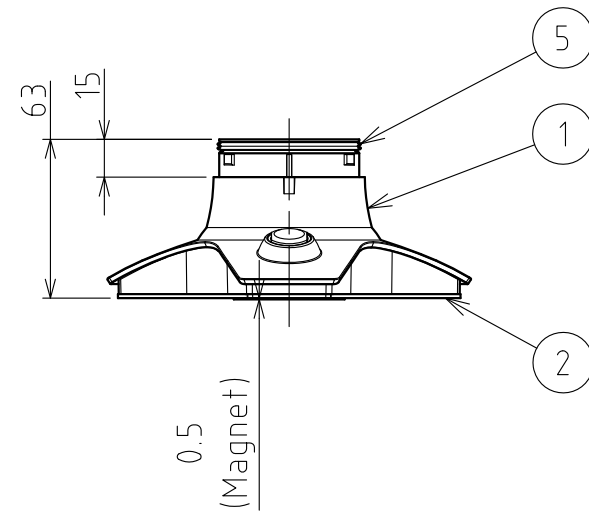


fig.1 Explanatory diagram of Accessory

[Specification]

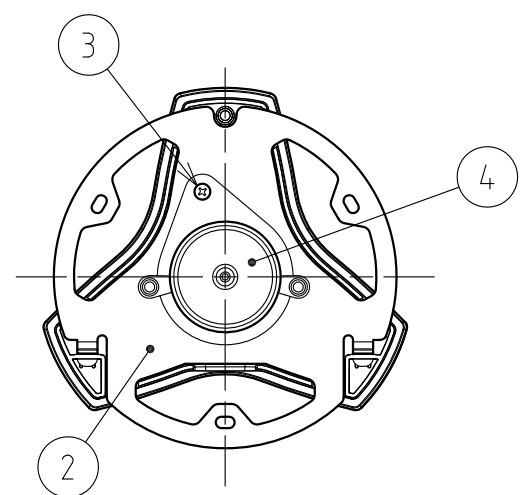
Product Name	Installation Bracket
Model	SZW-060W
Applicable Type	LA6-5AWJWB LA6-□DWJW□ LA6-5DTNWB-POE
Mounting Location	Indoor
Mounting Direction	Upright
Mass(±10%)	250g

* Protection Rating is IP20 for using this product.
* Vibration Resistance is Nothing for using this product.



Wiring Through-hole

[NOTE]
1.Body Color : Off-white



6	Rubber Sheet	-	3	Polyurethane	Accessory
5	Waterproof Ring B	-	1	Rubber	-
4	Magnet	-	1	Magnet	-
3	Screw of Mounting Bottom Plate	-	1	Steel	-
2	Bottom Plate	-	1	Steel	-
1	Stand Cover	-	1	ABS	-
番号 No.	部品名 Part Name	品目コード Part No.	数量 Qty.	材料 & 寸法 & 処理 Material & Size & Finish	記事 Remarks

製品仕様書
Specifications
株式会社 パトライト
PATLITE Corporation
SZW-060W-W18A