

PATLITE GA0001163_03

Audible Alarm Installation Manual
Hörbarer Alarm Installationsanleitung
Alarma audible Manuel d'installation
Alarme udibile Manuale di installazione
Alarma audible Manual de instalación

Installation Wiring
 Installation Verkabelung
 Installation Cablage
 Installazione Cablaggio
 Instalación Cableado

TYPE BD

- Notice to Customer** Thank you very much for purchasing our Patlite products.
- This product requires installation, wiring, and other related work. Be sure to ask an expert technician to perform these procedures.
 - This installation manual is intended for the technician who performs the installation and wiring of the product.
 - A separate user's manual is provided for customers who operate the product after installation. Be sure to read the user's manual before operating the product.
- WARNING** Indicates an imminently dangerous condition: failure to follow the instructions may lead to death or serious injury.
- Request the installation and wiring to be accompanied by a professional contractor. If installation is done improperly, it may result in fire, electric shock, falling, or malfunction.
- CAUTION** Indicates a potentially dangerous condition: failure to follow the instructions may lead to slight injury or property damage.
- Use a soft cloth dampened with water to clean the product. (Do not use thinner, benzine, gasoline or oil.)

Hinweis an den Kunden Vielen Dank, dass Sie unser Patlite-Produkt erworben haben.

- Dieses Produkt erfordert Installations-, Verkabelungs- und andere Arbeiten. Bitte Sie stets einen erfahrenen Techniker, diese Arbeiten durchzuführen.
- Diese Installationsanleitung richtet sich an die Techniker, die die Installation und Verkabelung für dieses Produkt ausführen.
- Für die Kunden, die das Produkt nach der Installation verwenden, steht eine separate Bedienungsanleitung zur Verfügung. Lesen Sie stets die Bedienungsanleitung, bevor Sie das Produkt verwenden.

AVVERTENZA Weist auf eine unmittelbar gefährliche Situation hin: Die Nichtbefolgung der Anweisungen kann zum Tod oder zu einer schweren Verletzung führen.

- Bitte Sie professionelles Fachpersonal um die Ausführung der Installation und Verkabelung. Wenn die Installation nicht ordnungsgemäß ausgeführt wird, kann dies zu einem Feuer, Stromschlag, zum Herunterfallen oder zu einer Fehlfunktion führen.

VORSICHT Weist auf eine potentiell gefährliche Situation hin: Die Nichtbefolgung der Anweisungen kann zu einer leichten Verletzung oder einem Sachschaden führen.

- Verwenden Sie ein weiches Tuch, das mit Wasser angefeuchtet, um ein Produkt zu reinigen. (Verwenden Sie keinen Verdünnern, Benzin, Benzin oder Öl.)

Avis au client Nous vous remercions d'avoir acheté notre produit Patlite.

- Ce produit nécessite une installation, un câblage et d'autres travaux connexes. Assurez-vous de faire appel à un technicien expérimenté pour effectuer ces procédures.
- Ce manuel d'installation est destiné au technicien qui effectue l'installation et le câblage de l'appareil.
- Un mode d'emploi séparé est fourni aux clients qui utilisent le produit après l'installation. Veuillez à lire le manuel d'utilisation avant d'utiliser le produit.

AVERTISSEMENT Indique une situation dangereuse imminente : le non-respect de ces consignes peut entraîner la mort ou des blessures graves.

- Demandez à ce que l'installation et le câblage soient effectués en présence d'un professionnel. Si l'installation est réalisée de façon incorrecte, il existe un risque d'incendie, de choc électrique, de chute ou de dysfonctionnement.

ATTENTION Indique une situation potentiellement dangereuse : le non-respect de ces consignes peut entraîner de légères blessures ou des dommages matériels.

- Utilisez un chiffon doux imbibé d'eau pour nettoyer le produit. (N'utilisez pas de diluant, d'essence, d'essence ou d'huile.)

Avviso al cliente Grazie per aver acquistato il nostro prodotto Patlite.

- Questo prodotto richiede l'installazione, il collegamento elettrico e altri lavori. Assicurarsi di chiedere a un esperto tecnico di eseguire questi lavori.
- Questo manuale di installazione deve essere utilizzato dal tecnico che esegue l'installazione e il cablaggio elettrico del prodotto.
- Un manuale dell'utente separato è fornito per i clienti che utilizzano il prodotto dopo l'installazione. Assicurarsi di leggere il manuale dell'utente prima di mettere in funzione il prodotto.

AVVERTENZA Indica un'imminente situazione di pericolo: il mancato rispetto delle istruzioni potrebbe causare la morte o lesioni gravi.

- Richiedere l'installazione e il cablaggio ad un professionista. Se l'installazione è eseguita in modo errato, può provocare un incendio, scosse elettriche, cadute o malfunzionamenti.

ATTENZIONE Indica una potenziale situazione di pericolo: il mancato rispetto delle istruzioni potrebbe causare lesioni leggere o danni materiali.

- Utilizzare un panno morbido inumidito con acqua per pulire il prodotto. (Non usare diluente, benzina, benzina o olio.)

Aviso al cliente Gracias por adquirir nuestro producto Patlite.

- Este producto requiere instalación, cableado y otros trabajos relacionados. Asegúrese de solicitar a un técnico experto la realización de estos procedimientos.
- Este manual de instalación ha sido elaborado para el técnico que lleva a cabo la instalación y el cableado del producto.
- Se proporciona por separado un manual del usuario para los clientes que usarán el producto después de la instalación. Asegúrese de leer el manual del usuario antes de utilizar el producto.

ADVERTENCIA Indica una condición de riesgo inminente: no observar estas instrucciones podría causar lesiones graves o incluso la muerte.

- Solicite que la instalación y el cableado sean realizados por un contratista profesional. Si la instalación se realiza de forma incorrecta, podría causar incendios, descargas eléctricas, caídas o un fallo de funcionamiento.

ATENCIÓN Indica una situación potencialmente peligrosa: no observar estas instrucciones podría causar lesiones leves o daños materiales.

- Utilice un paño suave humedecido con agua para limpiar el producto. (No use diluyente, bencina, gasolina o aceite.)

To Installers or Contractors

- Read this manual thoroughly before using this product to ensure correct use.
- If there are any questions concerning this product, refer to the contact information at the end of USER's manual and contact your nearest PATLITE Sales Representative.

Für Installateure und Fachpersonal

- Lesen Sie diese Anleitung sorgfältig, bevor Sie dieses Produkt verwenden, um die ordnungsgemäße Verwendung zu gewährleisten.
- Wenn Sie irgendwelche Fragen zu diesem Produkt haben, verwenden Sie die Kontaktinformationen am Ende bedienungsanleitung Anleitung und wenden Sie sich an Ihren nächstgelegenen PATLITE-Vertriebsmitarbeiter.

Aux installateurs ou aux entrepreneurs

- Lisez attentivement ce manuel avant d'utiliser ce produit pour garantir une utilisation correcte.
- Si vous avez des questions concernant ce produit, reportez-vous aux coordonnées figurant à la fin de ce mode d'emploi de l'appareil et contactez votre représentant de vente PATLITE le plus proche.

Per gli installatori o gli apparatori

- Leggere attentamente il manuale prima di utilizzare questo prodotto per garantirne un uso corretto.
- Se vi sono domande riguardanti questo prodotto, fare riferimento alle informazioni di contatto alla fine di Manuale dell'utente e contattare il più vicino rappresentante di vendita PATLITE.

Para instaladores o contratistas

- Lea atentamente este manual antes de utilizar este producto para asegurar un uso correcto.
- Si tiene preguntas relacionadas con este producto, consulte la información de contacto que se encuentra al final de Manual del usuario/póngase en contacto con su representante de ventas PATLITE más cercano.

1 Safety Precautions

The precautions which must be observed to prevent damage to the person using the product, to people around it, or to property are described in a manner shown below

Warning

- Be sure to turn the power off before wiring or installing the product. Failure to do so may cause electric shock.
- Take care to perform wiring correctly. If the wiring is incorrect, internal circuit may be damaged by fire, and it may also be a cause of fire.
- As for the power source, be sure to use this product within the allowable range of voltage. Failure to do so may be a cause of fire or damage to the product.
- When the product is used for security purposes in which safety is emphasized, be sure to perform daily maintenance, and design a system which is capable of handling unlikely events such as malfunction or failure.
- Be sure to let specialists perform installation task which requires construction work.
- Failure to do so may cause electric shock, fire, or falling.

Caution

- Before you start working on the product, discharge static electricity from your body. By touching another grounded metal part with bare hand, the static electricity can be discharged.
- To protect power source circuit and internal circuit of the product, be sure to install external fuse.

Failures caused by using the product in ways not observing the Warnings and Cautions, by disassembling or converting the product, or by natural disaster are not covered under warranty. And do not use the product in ways other than the ways described in this document.

Other Precautions

- Use the product in an environment where there is no electromagnetic or inductive noise. Speakers are known to generate noise.
- Use the product in an environment where there is no corrosive gas. Failure to do so may cause malfunction.
- Do not use the product as fire alarm.

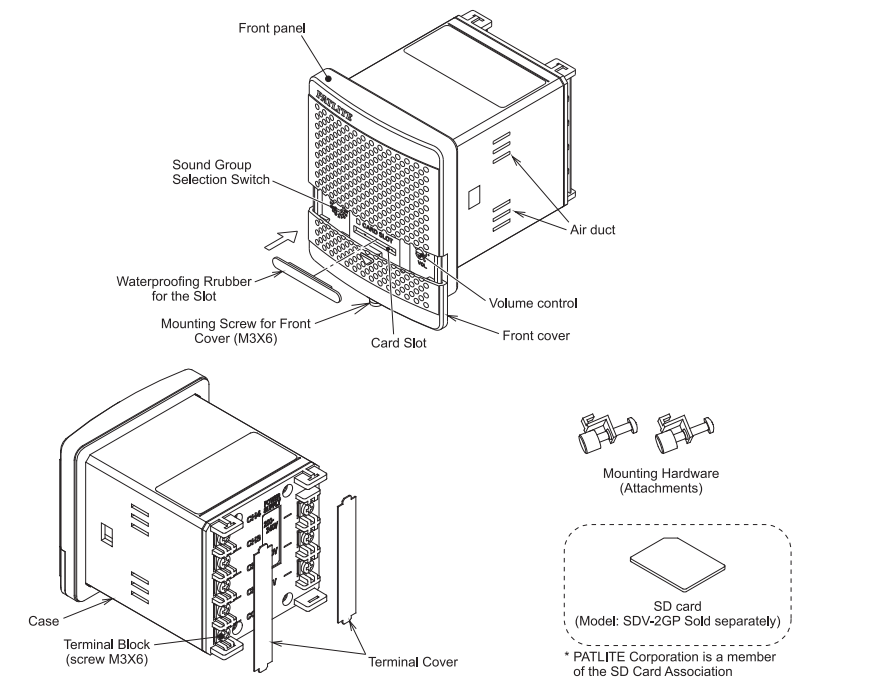
※ Cautionary note of the built-in Alarm/Melody
 Although copyright licensing in Japan for the A, C, D type melodies has been obtained for the BD-□AA/C/D at our company, since copyright licensing for other countries outside Japan has not been acquired, it is recommended the customer acquires it. However, the melodies in the BD-□AE (E type) do not require copyright consent, use this unit (E type) outside Japan.

2 Model Indicating Format

BD - 24 A A - J

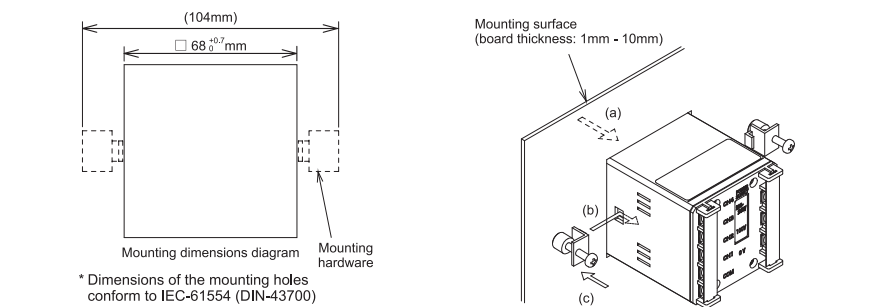
- Normal-rated voltage
24 : 12-24V DC
100 : 100/220V AC
- Sound Chart type
A : Type A
C : Type C
D : Type D
E : Type E
- Color of body front
J : Light gray
K : Dark gray

3 Part Names



4 How to Install

- Install the product according to the procedure below.
- Create mounting holes on a mounting surface (board thickness: 1mm - 10mm) where there is enough space for the mounting hardware. (See the mounting dimensions diagram)
 - Insert the product from the front of the mounting surface.
 (a) Attach the mounting hardware which comes with the product to the holes on the side of the product.
 (b) Then fasten the screws of the mounting hardware. (Recommended fastening torque: 0.7±0.1N·m)
 - Confirm that the product and the mounting hardware are installed properly.



Warning

- Be sure to turn the power off before installing the product. Failure to do so may cause electric shock.

Caution

- Choose a location for the mounting surface where it has enough strength to support the weight of the product, and where there is less vibration. Failure to do so may be the cause of injury or damage to the product.
- Be sure to use both pieces of mounting hardware, and fasten them with the recommended fastening torque. Failure to do so may be the cause of injury or damage to the product.

Other Precautions

- Secure a enough space in which the mounting hardware can also be installed when choosing a mounting surface.
- Install the product on a flat surface without bumps and dips. Failure to do so may weaken its resistance to water and dust. To prevent the product from falling in places where vibration may be generated, apply thread locking adhesive or the like, and perform periodic checking of the tightness of the mounting hardware.
- Install the product in a way the air ducts are not blocked.
- Keep a space more than 6.3mm between the terminal block and the metal surface.

5 How to Perform Wiring

Before wiring the product, remove the terminal cover. And after the completion of the wiring attach the terminal cover. For the external contact of signal line, use no-voltage contact circuit such as relay switch or open collector circuit (NPN type). As for the contact capacity, see the table below.

Contact capacity

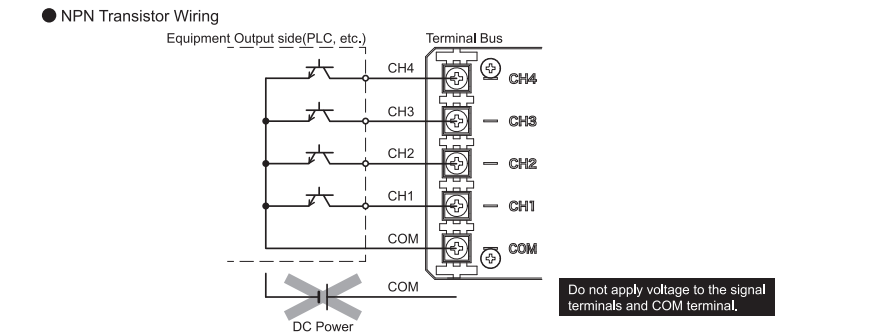
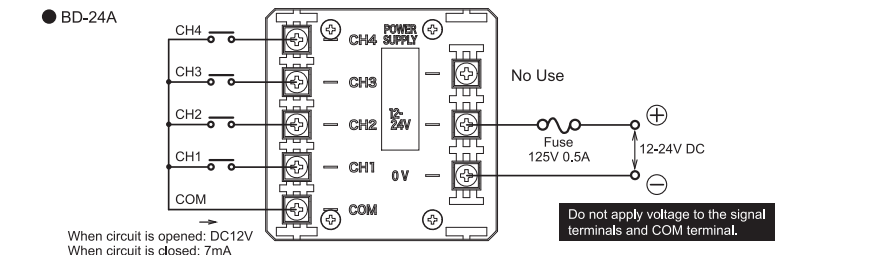
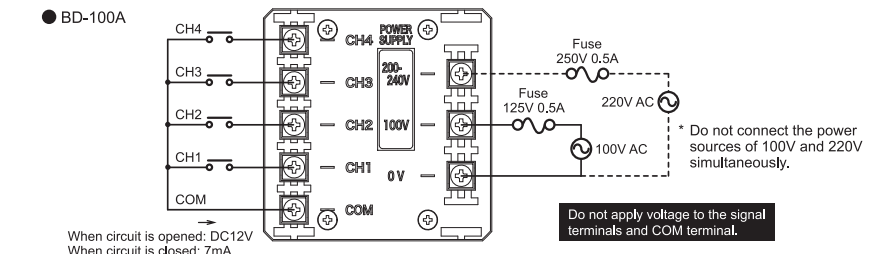
Withstand voltage	DC12V or higher
Current capacity	7mA or higher
Leakage current	0.1mA or lower
ON voltage (V _{sat})	1V or lower (0.5V or lower in case of DC12V)

Inrush current

BD-24A	2.5A
BD-100A	9.5A

NPN Open Collector Circuit

Wiring examples



Warning

- Make sure the power is off before wiring to avoid short-circuiting, electric shock, or burns.
- Ensure proper wiring has been done to avoid any mistakes in wiring.
- Do not apply voltage to the signal terminals (channel 1-channel 4) and COM terminal. Possible error in wiring may cause fire or result in product failure.
- More ever fire for neither 100V nor 220V at the same time in the case of BD-100A. Failure to do so may cause damage to the internal circuit by fire, and it may cause fire.
- The terminal screws should be fastened with the recommended fastening torque (0.3N·m). Failure to do so may cause short circuit due to disconnection of wire, and damage to the product.
- When the product is used in places where vibration occurs, perform periodical checking of the tightness of the terminal screws to prevent letting go of the wires.

Caution

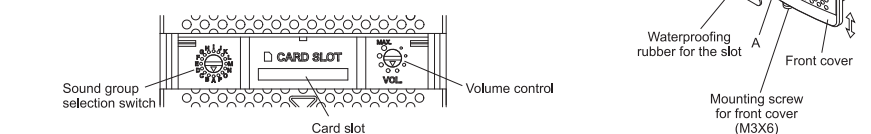
- To protect the power source circuit and the internal circuit of the product, be sure to install an external fuse.

Other Precautions

- Be careful not to lose the terminal cover.
- The use of M3 ring terminals with insulating coating is recommended for the wiring of terminal block to prevent disconnection of wires. Recommended product: N1.25-3 produced by JST Mfg. Co., Ltd. (Product conforming to RoHS)
- When the product is to be used in a condition in which it is connected to power source, install a switch near the main body to be able to turn off the power easily for safety reasons.
- Confirm that the wiring has been performed correctly before turning on the power.

6 How to Setting the Product

- ### 6-1. Opening and Closing the Front Cover
- Open or close the front cover according to the procedure shown below when performing tasks such as adjusting the volume of the sound or selecting the tone color group.
- Loosen the mounting screw (M3X6) for the front cover. (An screw does not fall out.)
 - Push the lower front cover section (part A in the figure on the right) lightly with finger to slide it downward.
 - When a SD card is to be used, remove the waterproofing rubber for the slot.
 - After completing tasks, attach the parts removed in the procedure from ① to ③ in the opposite order. (Recommended fastening torque for the mounting screw: 0.3N·m)



Other Precautions

- Be careful not to lose the waterproofing rubber for the slot.
- Do not try too hard to slide down the front cover. Failure to do so may cause the front cover to disassemble.
- Attach the waterproofing rubber for the slot securely. Failure to do so may weaken the product's resistance to water and dust.
- Fasten the mounting screw for front cover with the recommended fastening torque. In places where vibrations occur, the front cover may fall or the product may be damaged.

6-2. Selecting a Sound Group

Use the sound group selection switch to select a group from the 16 types from A to P. Use a flat-blade screwdriver with the blade thickness of 1.0mm or thinner for turning the switch. (Factory default setting: Sound group A)

When the sound group P is selected, any sound may be combined freely using an SD card. Refer to the section 6-3, How to Combine Sounds for details.

Other Precautions

- Make sure that there is no misalignment with the sound group selection switch when selecting.
- If there is misalignment as shown in the figure on the right, the sound group selected may not play.

Sound Chart type A (BD-□AA)

Sound List			
Group	CH1	CH2	CH3
A	Beep (slow intermittent horn)	Slutter (rapid intermittent horn)	Bell (clear highpitched bell)
B	Rapid Hi-Lo	Melody Chime	Synthesized Piano
C	Slutter (rapid intermittent horn)	Synthesized Melody Chime	Chime
D	Fur Elise	Maiden's Prayer	Chime
E	Minuet	Maiden's Prayer	Chime
F	London Bridge is falling down	Holdridia	Chime
G	Mary had a little lamb	The Campdown Races	Chime
H	Cuckoo	Blacksmith in the village	Chime
I	On the Avignon bridge	Daydream Believer	Chime
J	Amaryllis	Symphony No. 40	Chime
K	Silent Lakeside	Mountain musician	Chime
L	Romance De Amour	Petrouchka	Chime
M	Grandfather's Clock	Ave Maria	Chime
N	Holdridia	Mountain musician	Slutter (rapid intermittent horn)
O	Mary had a little lamb	Romance De Amour	Slutter (rapid intermittent horn)
P	The Campdown Races	Cuckoo	Petrouchka

Sound Chart type C (BD-□AC)

Sound List			
Group	CH1	CH2	CH3
A	Beep (slow intermittent horn)	Slutter (rapid intermittent horn)	Bell (clear highpitched bell)
B	Rapid Hi-Lo	Melody Chime	Synthesized Piano
C	Slutter (rapid intermittent horn)	Synthesized Melody Chime	Chime
D	Can't Take My Eyes off of You	Top of the World	Chime
E	The Entertainer	Amazing Grace	Chime
F	Amairono Kamino Otome	Les Champs-Elysees	Chime
G	Canon	Rara Sanshain	Chime
H	Uchuusenkan Yamato	Oshiete	Chime
I	Makenaide	Gonna Fly Now (Theme for 'Rocky')	Chime
J	I Don't Want to Miss a Thing	Yozorano Mukou	Chime
K	Aiwa Katsu	Truth	Chime
L	Gattsudaze	Odoru Ponpokoin	Chime
M	Imasugu Kisu Mi	Haruyo Koi	Chime
N	Les Champs-Elysees	Truth	Slutter (rapid intermittent horn)
O	Canon	Gattsudaze	Slutter (rapid intermittent horn)
P	Rara Sanshain	Uchuusenkan Yamato	Odoru Ponpokoin

Sound Chart type D (BD-□AD)

Sound List			
Group	CH1	CH2	CH3
A	Beep (slow intermittent horn)	Slutter (rapid intermittent horn)	Bell (clear highpitched bell)
B	Rapid Hi-Lo	Melody Chime	Synthesized Piano
C	Slutter (rapid intermittent horn)	Synthesized Melody Chime	Chime
D	Can't Take My Eyes off of You	Top of the World	Chime
E	The Entertainer	Amazing Grace	Chime
F	Amairono Kamino Otome	Les Champs-Elysees	Chime
G	Canon	Rara Sanshain	Chime
H	Uchuusenkan Yamato	Oshiete	Chime
I	Makenaide	Gonna Fly Now (Theme for 'Rocky')	Chime
J	I Don't Want to Miss a Thing	Yozorano Mukou	Chime
K	Aiwa Katsu	Truth	Chime
L	Gattsudaze	Odoru Ponpokoin	Chime
M	Imasugu Kisu Mi	Haruyo Koi	Chime
N	Les Champs-Elysees	Truth	Slutter (rapid intermittent horn)
O	Canon	Gattsudaze	Slutter (rapid intermittent horn)
P	Rara Sanshain	Uchuusenkan Yamato	Odoru Ponpokoin

Sound Chart type E (BD-□AE)

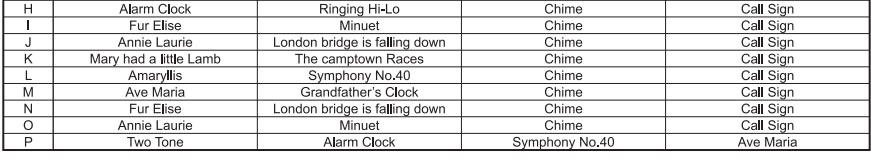
Sound List			
Group	CH1	CH2	CH3
A	Beep (slow intermittent horn)	Slutter (rapid intermittent horn)	Bell (clear highpitched bell)
B	Rapid Hi-Lo	Melody Chime	Synthesized Piano
C	Slutter (rapid intermittent horn)	Synthesized Melody Chime	Chime
D	Oribiao Kikinagara	A September	Chime
E	Doyubino Koibito	Akino Kehai	Chime
F	Saafu Tengoku Sukii Tengoku	Iro Howaitoburendo	Chime
G	Hi Ho	Bear Song	Chime
H	Konnako Irukana	Ruddolph the Red-nosed Reindeer	Chime
I	Oh My Darling Clementine	Yankee doodle	Chime
J	Runner	Mamotte Agetai	Chime
K	Doyubino Koibito	Akino Kehai	Saafu Tengoku Sukii Tengoku
L	Happy Birthday	Hi Ho	I've been working on the Railroad
M	Toys Go Cha Cha Cha	Konnako Irukana	Wienegied
N	She Wore a Yellow Ribbon	Oh My Darling Clementine	Yellow Rose of Texas
O	When the Saints Go Marching In	Londonery Air	Runner
P	HIHO	I've been working on the Railroad	Yankee doodle

Sound Chart type E (BD-□AE)

Sound List			
Group	CH1	CH2	CH3
A	Beep (slow intermittent horn)	Slutter (rapid intermittent horn)	Bell (clear highpitched bell)
B	Rapid Hi-Lo	Melody Chime	Synthesized Piano
C	Slutter (rapid intermittent horn)	Synthesized Melody Chime	Chime
D	Train Ride	Galloping Hi-Lo	Chime
E	Alien Chatter	Falling Crystals	Chime
F	Inverted Reveille	Garactic Motor	Chime
G	Ringing Phone	Two Tone	Chime
H	Alarm Clock	Ringing Hi-Lo	Chime
I	Fur Elise	Minuet	Chime
J	Annie Laurie	London bridge is falling down	Chime
K	Mary had a little Lamb	The campdown Races	Chime
L	Amaryllis	Symphony No.40	Chime
M	Ave Maria	Grandfather's Clock	Chime
N	Fur Elise	London bridge is falling down	Chime
O	Annie Laurie	Minuet	Chime
P	Two Tone	Alarm Clock	Symphony No.40

Sound Chart type E (BD-□AE)

Sound List			
Group	CH1	CH2	CH3
A	Beep (slow intermittent horn)	Slutter (rapid intermittent horn)	Bell (clear highpitched bell)
B	Rapid Hi-Lo	Melody Chime	Synthesized Piano
C	Slutter (rapid intermittent horn)	Synthesized Melody Chime	Chime
D	Train Ride	Galloping Hi-Lo	Chime
E	Alien Chatter	Falling Crystals	Chime
F	Inverted Reveille	Garactic Motor	Chime
G	Ringing Phone	Two Tone	Chime
H	Alarm Clock	Ringing Hi-Lo	Chime
I	Fur Elise	Minuet	Chime
J	Annie Laurie	London bridge is falling down	Chime
K	Mary had a little Lamb	The campdown Races	Chime
L	Amaryllis	Symphony No.40	Chime
M	Ave Maria	Grandfather's Clock	Chime
N	Fur Elise	London bridge is falling down	Chime
O	Annie Laurie	Minuet	Chime
P	Two Tone	Alarm Clock	Symphony No.40

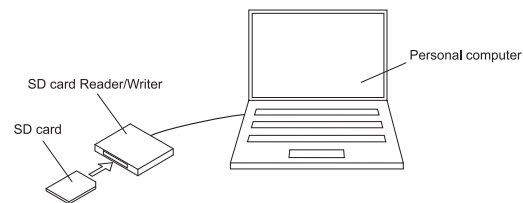


6-3. How to Combine Sounds

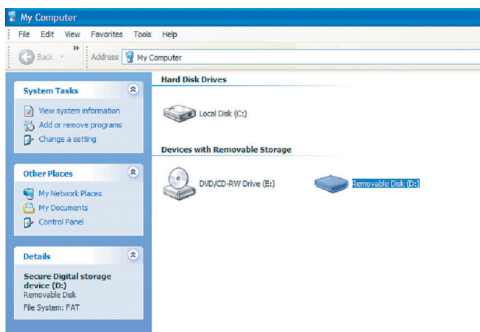
When the sound group P is selected, sounds can be chosen from the 32 sounds and combined freely using an SD card.

- Items prepared by customers
- SD card (Type: SDV-2GP Sold separately), Personal computer, SD card Reader/Writer

- Creating the sound combination data
By using a personal computer, data consisting of different sounds is created
 - Connect SD card Reader/Writer to PC, and then insert an SD card.

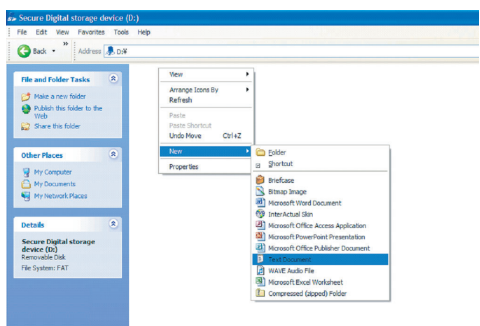


- In the My Computer of the PC, open the drive into which the SD card is inserted.



- Within the window opened, click with the right mouse button, and point New Document and then choose Text Document.

* The name may vary such as notepad depending on the OS and its version.

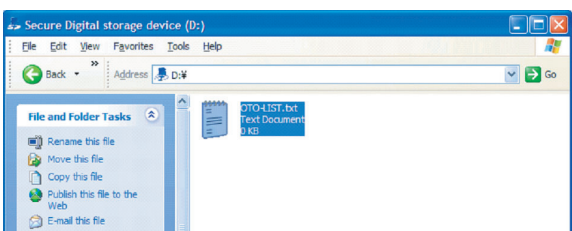


- Change the file name of the created text document to

【 OTO-LIST.txt 】

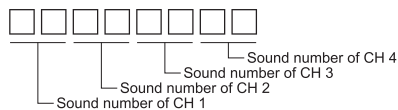
* Use half-size upper- or lowercase letters for the file name.

If the extension ".txt" is not displayed when the text document is created, change the file name to 【OTO-LIST】.



Enter the number of the sound (see 6-2. Selecting a Sound Group) you want to combine into the text document created in ④ and store it in the SD card.

* Enter the sound number with half-size numbers of 8 digits.



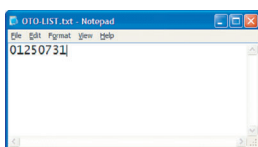
Example

When a combination of the following sounds are to be created with the type BD-□A.

CH 1: Beep CH 2: Amaryllis CH 3: Synthesized Piano CH 4: Grandfather's Clock

Enter the number shown below into the text document, and save the file.

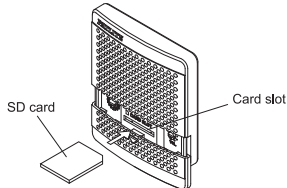
【 01250731 】



2. Transferring the sound combination data

The sound combination data created in "1. Creating the sound combination data" is transferred to this product.

- Turn off the power of this product.
- Open the front cover, and insert the SD card, in which the data created in "1. Creating the sound combination data" is stored, into the card slot.
- Turn on the power of this product.
- When transferring the sound data is completed, you will hear a high-pitched tone. After hearing the sound, pull out the SD card.
 - The writing completes in 1 second or less. When you hear the high-pitched tone repeatedly or hear no sound at all, it means that the writing was unsuccessful. Confirm the descriptions for the procedures 1 and 2. But take note that if the volume control is set to the minimum, you will not hear the sound of completion.
- Set the sound group selection switch to P, and confirm the sound of each channel.

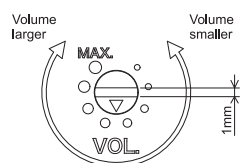


Other Precautions

- As for the SD card, use the type SDV-2GP sold separately. Operation is not guaranteed if an SD card of any other type is used.
- When formatting the SD card, do it in either FAT12 or FAT16.
- Depending on formatting conditions, there is a possibility that the data stored in the SD card cannot be read if the format is not supported by this product. To avoid formatting issues, please make sure that your OS is compatible with FAT12 or FAT16 formatting, or that you use the formatting tool that is provided by the SD Association (link below).
https://www.sdcard.org/downloads/formatter/index.html
(Note: formatting tool requires administrative rights)
- When inserting the SD card, pay attention to the orientation of the SD card. And do not forcibly insert the SD card into the card slot. Doing so may cause damage to the SD card and/or the product.
- Pay attention that no foreign object enter into the card slot.

6-4. Adjusting the Sound Volume

The sound volume can be adjusted using the volume control. Use a flat-blade screwdriver with the blade thickness of 1.0mm or thinner for turning the volume control.



Other Precautions

- Turn the volume control lightly. It may be damaged if a torque of 0.3N·m or more is applied.

Information

- When the volume is set to high, the sound may be distorted in some sounds.
- In some cases the volume may not be zero even if the volume control is set to the minimum.

6-5. How to Play Sounds

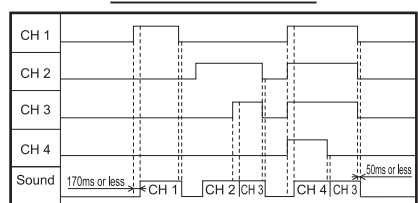
When the COM terminal and the terminal CH 1 - CH 4 are short-circuited after turning on the power, the sound of the channel of the selected group is played.

- Sound is played while the terminals are short-circuited.
- When 2 or more CH terminals are short-circuited to the COM terminal, the sound of the channel with a larger number will be played.

Priority order for the channels CH 4 > CH 3 > CH 2 > CH 1

- When this product is operated by turning on the power, it takes about 1 second to play a sound.
- Refer to the table below for the time chart when this product is operated by the CH terminals.

CH signal input time chart

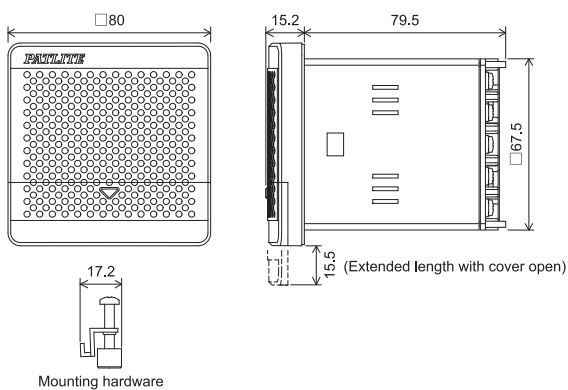


Information

- Pop noise may be generated when the power is turned on or off, or at the beginning of playing a sound. But it is normal.

7 Specifications

[External view](mm)



Mounting hardware

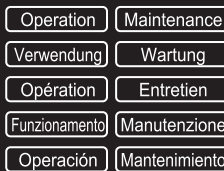
Model	BD-24A□	BD-100A□
Rated Voltage	12-24V DC	100V AC / 220V AC 50/60Hz
Voltage Range	10.5-26.4V DC	100V±10% AC / 220V±10% AC
Power Consumption	4W / Standby power consumption 0.5W	5W / Standby power consumption 1.1W
Sound Pressure Level	Max. 90dB (at a distance of 1m when the panel is attached) Volume adjustment is possible.	
CH Input	Bit input	
Input Method	Level hold input (Sound is played while COM terminal and CH terminal are short-circuited.)	
Starting Time	Operation by turning on the power: 1s or less Operation by CH signal: 170ms or less	
Number of Channels	4 channels	
Priority Order for the Channels	CH4 > CH3 > CH2 > CH1	
Operating Temperature Range	-20 ~ 55 °C	
Relative Humidity	RH 85% or lower (no condensation)	
Mounting Direction	Indoor use only: * Normal, * reverse, and * lateral direction are possible (Normal direction only in places where water may be splashed on it).	Indoor: * Normal, * reverse, and * lateral direction are possible (Normal direction only in places where water may be splashed on it). Outdoor: * Normal direction only.
Protection Level	IP54 (When the panel is mounted in normal direction; Front only)	
Resistance to Vibration	160g±10%	180g±10%
Mass	160g±10%	180g±10%

- For Model BD-24A□
This product has been tested and found to comply with the limits for a Class A device. These limits are designed to provide reasonable protection against harmful interference when the equipment is operated in a commercial environment.
This product must not be used in residential areas.

PATLITE®

Audible Alarm
Hörbarer Alarm
Alarime audible
Allarme udibile
Alarma audible

User's Manual
Bedienungsanleitung
Mode d'emploi
Manuale dell'utente
Manual del usuario



TYPE BD

Notice to Customer Thank you very much for purchasing our Patlite products.

- This product requires installation, wiring, and other related work. Be sure to ask an expert technician to perform these procedures.
- Read this manual thoroughly before using this product to ensure correct use.
- If there are any questions concerning this product, refer to the contact information at the end of this document and contact your nearest PATLITE Sales Representative.
- This product has been tested and found to comply with the limits for a Class A device.
- These limits are designed to provide reasonable protection against harmful interference when the equipment is operated in a commercial environment.
- This product must not be used in residential areas.

WARNING Indicates an imminently dangerous condition; failure to follow the instructions may lead to death or serious injury.

- Request the installation and wiring to be accompanied by a professional contractor. If installation is done improperly, it may result in fire, electric shock, falling, or malfunction.
- Be sure to disconnect the power to the product when performing maintenance or repairs. If the power is not disconnected, it may result in electric shock.

CAUTION Indicates a potentially dangerous condition; failure to follow the instructions may lead to slight injury or property damage.

- Use a soft cloth dampened with water to clean the product. (Do not use thinner, benzine, gasoline or oil.)

Hinweis an den Kunden Vielen Dank, dass Sie unser Patlite-Produkt erworben haben.

- Dieses Produkt erfordert Installations-, Verkabelungs- und andere Arbeiten. Bitten Sie stets einen erfahrenen Techniker, diese Arbeiten durchzuführen.
- Lesen Sie diese Anleitung sorgfältig, bevor Sie dieses Produkt verwenden, um die ordnungsgemäße Verwendung zu gewährleisten.
- Wenn Sie irgendwelche Fragen zu diesem Produkt haben, verwenden Sie die Kontaktinformationen am Endesdieses Handbuchs und wenden Sie sich an Ihren nächstgelegenen PATLITE Vertriebsmitarbeiter.
- Dieses Produkt wurde geprüft und hält die Grenzwerte für ein Klasse-A-Gerät gemäß.
- Diese Grenzwerte sind so ausgelegt, einen angemessenen Schutz gegen schädliche Störungen zu gewährleisten, wenn das Produkt in einer geschäftlichen Umgebung verwendet wird.
- Dieses Produkt darf nicht in Wohngebieten verwendet werden.

AVVERTENZA Indica una situazione potenzialmente pericolosa: il mancato rispetto delle istruzioni potrebbe causare la morte o lesioni gravi.

- Chiedere l'installazione e il cablaggio ad un professionista. Se l'installazione è eseguita in modo errato, può provocare un incendio, scosse elettriche, cadute o malfunzionamenti.
- Assicurarsi di scollegare l'alimentazione quando si esegue la manutenzione o la riparazione. Se l'alimentazione non è disconnessa, si possono provocare scosse elettriche.

VORSICHT Weist auf eine potentiell gefährliche Situation hin: Die Nichtbefolgung der Anweisungen kann zu einer leichten Verletzung oder einem Sachschaden führen.

- Verwenden Sie ein weiches Tuch, das mit Wasser angefeuchtet, um ein Produkt zu reinigen. (Verwenden Sie keinen Verdünnern, Benzin, Benzin oder Öl.)

Aviso al cliente Nous vous remercions d'avoir acheté notre produit Patlite.

- Ce produit nécessite une installation, un câblage et d'autres travaux connexes. Assurez-vous de faire appel à un technicien expérimenté pour effectuer ces procédures.
- Lisez attentivement ce manuel avant d'utiliser ce produit pour garantir une utilisation correcte.
- Si vous avez des questions concernant ce produit, reportez-vous aux coordonnées figurant à la fin de ce manuel et contactez otre représentant de vente PATLITE le plus proche.
- Cet appareil a été testé et jugé conforme aux limites définies pour les appareils de classe A.
- Ces limites sont conçues pour fournir une protection raisonnable contre les interférences nuisibles lorsque l'équipement est utilisé dans un environnement commercial.
- Ce produit ne doit pas être utilisé dans une zone résidentielle.

AVVERTIMENTO Indica una situazione potenzialmente pericolosa: il non-rispetto di queste istruzioni può causare la morte o lesioni gravi.

- Chiedere l'installazione e il cablaggio ad un professionista. Se l'installazione è eseguita in modo errato, può provocare un incendio, scosse elettriche, cadute o malfunzionamenti.
- Assicurarsi di scollegare l'alimentazione quando si esegue la manutenzione o la riparazione. Se l'alimentazione non è disconnessa, si possono provocare scosse elettriche.

ATTENTION Indique une situation potentiellement dangereuse: le non-respect de ces consignes peut entraîner de légères blessures ou des dommages matériels.

- Utilisez un chiffon doux imbibé d'eau pour nettoyer le produit. (N'utilisez pas de diluant, d'essence, d'essence ou d'huile.)

Avviso al cliente Grazie per aver acquistato il nostro prodotto Patlite.

- Questo prodotto richiede l'installazione, il collegamento elettrico e altri lavori. Assicurarsi di chiedere a un esperto tecnico di eseguire questi lavori.
- Leggere attentamente il manuale prima di utilizzare questo prodotto per garantirne un uso corretto.
- Se vi sono domande riguardanti questo prodotto, fare riferimento alle informazioni di contatto alla fine di questo manuale e contattare il più vicino rappresentante di vendita PATLITE.
- Questo prodotto è stato testato ed è risultato conforme ai limiti per un apparecchio di Classe A.
- Questi limiti sono progettati per fornire una protezione ragionevole contro interferenze dannose quando l'apparecchiatura viene utilizzata in un ambiente commerciale.
- Questo prodotto non deve essere usato in aree residenziali.

AVVERTENZA Indica una situazione potenzialmente pericolosa: il mancato rispetto delle istruzioni potrebbe causare la morte o lesioni gravi.

- Richiedere l'installazione e il cablaggio ad un professionista. Se l'installazione è eseguita in modo errato, può provocare un incendio, scosse elettriche, cadute o malfunzionamenti.
- Assicurarsi di scollegare l'alimentazione quando si esegue la manutenzione o la riparazione. Se l'alimentazione non è disconnessa, si possono provocare scosse elettriche.

ATTENZIONE Indica una potenziale situazione di pericolo: il mancato rispetto delle istruzioni potrebbe causare lesioni leggere o danni materiali.

- Utilizzare un panno morbido inumidito con acqua per pulire il prodotto. (Non usare diluente, benzina, benzina o olio.)

Aviso al cliente Gracias por adquirir nuestro producto Patlite.

- Este producto requiere instalación, cableado y otros trabajos relacionados. Asegúrese de solicitar a un técnico experto la realización de estos procedimientos.
- Lea atentamente este manual antes de utilizar este producto para asegurar un uso correcto.
- Si tiene preguntas relacionadas con este producto, consulte la información de contacto que se encuentra al final de este manual de instalación y póngase en contacto con su representante de ventas PATLITE más cercano.
- Este producto ha sido sometido a pruebas y se ha determinado que cumple con los límites para un dispositivo de clase A.
- Estos límites están diseñados para proporcionar una protección razonable contra interferencias perjudiciales cuando el equipo se opera en un entorno comercial.
- Este producto no debe ser utilizado en áreas residenciales.

ADVERTENCIA Indica una condición de riesgo inminente: no observar estas instrucciones podría causar lesiones graves o incluso la muerte.

- Solicite que la instalación y el cableado sean realizados por un contratista profesional. Si la instalación se realiza de forma incorrecta, podría causar incendios, descargas eléctricas, caídas o un fallo de funcionamiento.
- Asegúrese de desconectar la alimentación al producto cuando se realicen trabajos de mantenimiento o de reparación. Si no se desconecta la alimentación, podría producir una descarga eléctrica.

ATENCIÓN Indica una situación potencialmente peligrosa: no observar estas instrucciones podría causar lesiones leves o daños materiales.

- Utilice un paño suave humedecido con agua para limpiar el producto. (No use diluyente, bencina, gasolina o aceite.)

1 Before You Request a Repair

If a problem occurs, call a professional contractor and have them check the following table to remedy the problem.

Symptom	Points to be checked	Coping strategies
No sound is played	Is the power supplied? Are the COM terminal and CH terminal short-circuited correctly?	Confirm the wiring. Confirm the wiring.
A sound of a different channel is played	Is the volume control not set to the minimum? Are the COM terminal and CH terminal short-circuited correctly?	Adjust the volume. Confirm the wiring.
It does not read SD card	Is it correctly selected with the tone color group selection switch? Is the power supplied? Is the SD card correctly inserted? Is there a text document stored in the SD card? Are the file name and the content of the text document correct? Is the extension of text document ".txt"? Is the data not placed in a folder? Is the volume control not set to the minimum?	Confirm the tone color group selection switch. Confirm the wiring. Confirm the orientation of the insertion. Create a text document in the SD card. Confirm the file name and the content of the text document. Confirm the extension of document file name. Confirm the location of the stored file. Adjust the volume.

- If the product does not operate correctly even after it is properly installed and handled, contact a branch office or the technical support printed on the last page.

1 Bevor Sie Reparatur anfordern

Wenn ein Problem auftritt, rufen Sie einen professionellen Lieferanten an und lassen Sie ihn die folgende Tabelle überprüfen, um das Problem zu beheben.

Symptom	Zu prüfende Punkte	Kopierstrategien
Es wird kein Ton abgespielt	ist die Stromversorgung hergestellt? Sind die COM-Klemme und CH-Klemme korrekt kurzgeschlossen?	Bestätigen Sie die Verdrhtung. Bestätigen Sie die Verdrhtung.
Der Ton eines anderen Kanals wird abgespielt	ist die Lautstärkeregelung nicht auf den Mindestpegel eingestellt? Sind die COM-Klemme und CH-Klemme korrekt kurzgeschlossen?	Stellen Sie die Lautstärke ein. Bestätigen Sie die Verdrhtung.
SD-Karte wird nicht gelesen	ist er richtig mit dem Tonfarbgruppen-Wahlschalter eingestellt? Ist die Stromversorgung hergestellt? Ist die SD-Karte richtig eingesetzt? Ist ein Textdokument auf der SD-Karte gespeichert? Sind der Dateiname und der Inhalt des Textdokuments korrekt? Ist die Erweiterung des Textdokuments ".txt"? Sind die Daten nicht in einem Ordner abgelegt? Ist die Lautstärkeregelung nicht auf den Mindestpegel eingestellt?	Bestätigen Sie den Tonfarbgruppen-Wahlschalter. Bestätigen Sie die Verdrhtung. Bestätigen Sie die Einseitrichtung. Erstellen Sie ein Textdokument auf der SD-Karte. Bestätigen Sie den Dateinamen und den Inhalt des Textdokuments. Bestätigen Sie die Erweiterung des Dateinamens des Dokuments. Bestätigen Sie die Lage der gespeicherten Datei. Stellen Sie die Lautstärke ein.

- Wenn das Produkt auch bei korrekter Installation und Handhabung nicht richtig funktioniert, wenden Sie sich an eine Vertretung oder den technischen Beratungsdienst wie auf der letzten Seite angegeben.

1 Avant de demander des réparations

En cas de problème, contacter un entrepreneur professionnel et lui demander de vérifier le tableau suivant pour le régler.

Symptômes	Points à vérifier	Stratégies d'adaptation
Aucun son n'est joué	L'alimentation électrique est-elle fournie ? Est-ce que la borne COM et la borne CH sont court-circuitées correctement ? Le contrôle du volume n'est-il pas réglé au niveau minimum ?	Confirmer le câblage. Confirmer le câblage. Ajuster le volume.
Un son d'un canal différent est joué	Est-ce que la borne COM et la borne CH sont court-circuitées correctement ? Est-il correctement sélectionné avec l'interrupteur de sélection de groupe de ton de couleur ?	Confirmer le câblage. Confirmer l'interrupteur de sélection du groupe de ton de couleur.
Il ne lit pas la carte SD	L'alimentation électrique est-elle fournie ? Est-ce que la carte SD est correctement insérée ? Y a-t-il un document texte stocké sur la carte SD ? Le nom du fichier exploré correspond-il au contenu du document texte? Est-ce que l'extension du document texte est ".txt" ? Est-ce que les données ne sont pas placées dans un dossier ? Le contrôle du volume n'est-il pas réglé au niveau minimum ?	Confirmer l'orientation de l'insertion. Créer un document texte sur la carte SD. Confirmer le nom du fichier et le contenu du document texte. Confirmer l'extension du nom du document texte. Confirmer l'emplacement du fichier stocké. Ajuster le volume.

- Si l'appareil ne fonctionne pas correctement même après qu'il a été convenablement installé et manipulé, contacter un succursale ou l'assistance technique imprimée à la dernière page.

1 Prima di richiedere una riparazione

Se si verifica un problema, chiamare un contraente professionista e far controllare la tabella seguente per risolvere il problema.

Sintomo	Punti da controllare	Strategie per far fronte ai problemi
Non si sente alcun suono	L'alimentazione è collegata? Il terminale COM e il terminale CH sono cortocircuitati correttamente? Il controllo volume non è impostato al minimo?	Verificare il cablaggio. Verificare il cablaggio. Regolare il volume.
Viene riprodotto un suono di un canale diverso	Il terminale COM e il terminale CH sono cortocircuitati correttamente? E selezionato correttamente con l'interruttore di selezione gruppo colore tono?	Verificare il cablaggio. Verificare l'interruttore di selezione gruppo colore tono.
Non legge la scheda SD	L'alimentazione è collegata? La scheda SD è inserita correttamente? C'è un documento di testo salvato nella scheda SD? Il nome file e il contenuto del documento di testo sono corretti? L'estensione del documento di testo è ".txt"? Il file non è posto in una cartella? Il controllo volume non è impostato al minimo?	Verificare il cablaggio. Verificare l'orientamento dell'inserto. Creare un documento di testo nella scheda SD. Verificare il nome file e il contenuto del documento di testo. Verificare l'estensione del nome del file documento. Verificare la posizione del file salvato. Regolare il volume.

- Se il prodotto non funziona correttamente nemmeno dopo essere stato installato e maneggiato correttamente, contattare una filiale o il supporto tecnico stampato sull'ultima pagina.

1 Antes de solicitar una reparación

Si se produce un problema, llame a un contratista profesional y pídale que compruebe la tabla siguiente para resolver el problema.

Sintoma	Puntos que deben comprobarse	Estrategias de resolución
No se reproduce ningún sonido	¿Se suministra la alimentación? ¿Los terminales COM y CH están cortocircuitados correctamente? ¿El control de volumen no está ajustado en el nivel mínimo?	Confirme el cableado. Confirme el cableado. Ajuste el volumen.
Se reproduce un sonido de un canal diferente	¿Los terminales COM y CH están cortocircuitados correctamente? ¿Está seleccionado correctamente con el conmutador de selección de grupo de color de tono? ¿Se suministra la alimentación? ¿Se ha insertado correctamente la tarjeta SD?	Confirme el cableado. Confirme el conmutador de selección de grupo de color de tono. Confirme el cableado. Confirme la orientación de la inserción.
No lee la tarjeta SD	¿Hay un documento de texto almacenado en la tarjeta SD? ¿El nombre del archivo y el contenido del documento de texto son correctos? ¿Es la extensión del documento de texto ".txt"? ¿Los datos no están colocados en una carpeta? ¿El control de volumen no está ajustado en el nivel mínimo?	Cree un documento de texto en la tarjeta SD. Confirme el nombre del archivo y el contenido del documento de texto. Confirme la extensión del nombre de archivo del documento. Confirme la ubicación del archivo guardado. Ajuste el volumen.

- Si el producto no funciona correctamente incluso después de instalarlo y manipularlo correctamente, contacte con una sucursal o con el servicio de asistencia técnica impreso en la última página.

- Despite the cautions and warnings provided in this manual, it is not the responsibility of PATLITE for any failure or damage occurred from mishandling.
- PATLITE, the PATLITE logo are either registered trademarks or trademarks of PATLITE Corporation in JAPAN and/or other countries.
- Trotz der in diesem Handbuch enthaltenen Vorsichtsmaßnahmen und Warnungen haftet PATLITE nicht für Fehler oder Schäden, die durch unsachgemäße Behandlung entstanden sind.
- PATLITE sind das PATLITE Logo entweder eingetragene Marken oder Marken der PATLITE Corporation in Japan und / oder anderen Ländern.
- Malgré les mises en garde et les avertissements fournis dans ce manuel, il n'est pas la responsabilité de PATLITE de toute défaillance ou dommage survenu d'une mauvaise manipulation.
- Nonostante le precauzioni e le avvertenze contenute in questo manuale, non è responsabilità di PATLITE per eventuali guasti o danni si è verificato da maltrattamento.
- PATLITE, il logo PATLITE sono marchi registrati o marchi di fabbrica di PATLITE Corporation in Giappone e / o in altri paesi.
- A pesar de las precauciones y advertencias de este manual, no es responsabilidad de PATLITE por cualquier fallo o daño producido a partir de un mal manejo.
- PATLITE, el logotipo de PATLITE son marcas comerciales registradas o marcas comerciales de PATLITE Corporation en JAPÓN y / o en otros países.



- The images in this manual may vary in comparison to the actual product and are only for the purpose of illustration.
- Specifications may change without notice due to continual product improvement.