

SPECIFICATIONS

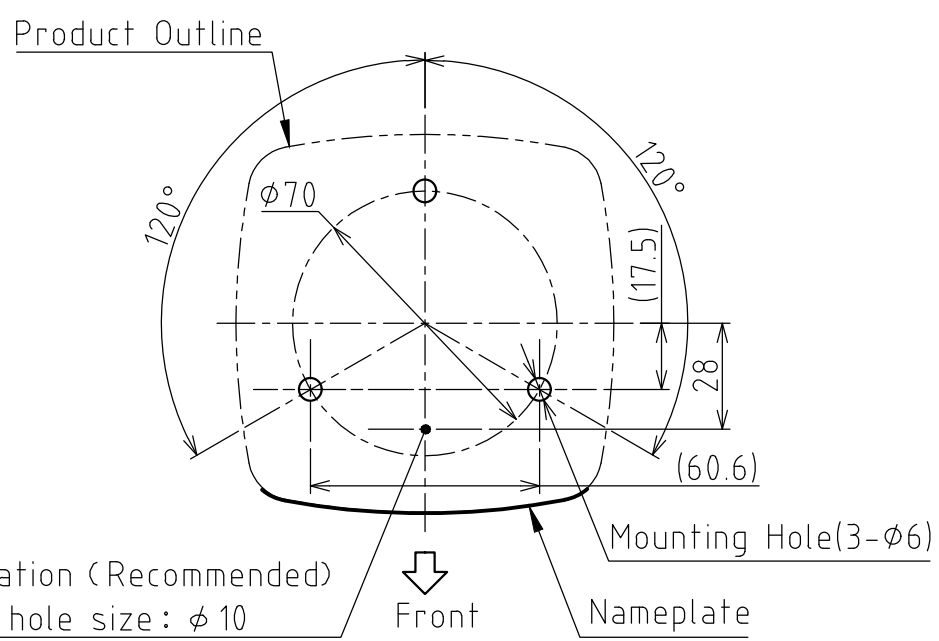
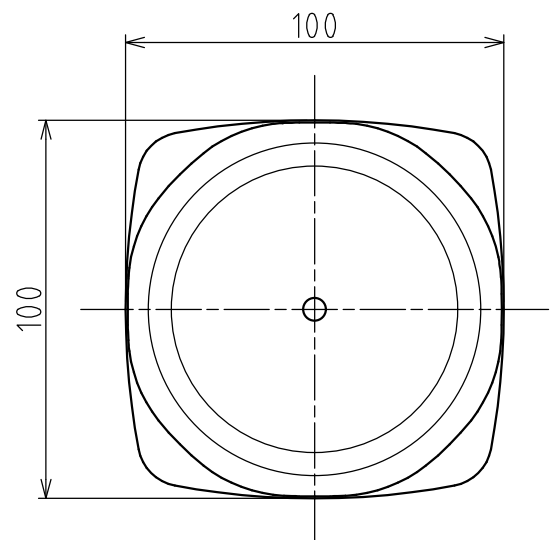
[General Specifications]

Product Name		Signal Light		
Model		LFH-12	LFH-24	LFH-48
Rated Voltage		12V DC	24V DC	48V DC
Operating Voltage Range		9.5V DC ~ 15V DC	20V DC ~ 30V DC	35V DC ~ 60V DC
Signal Wire Current	Typ.	0.42A	0.19A	0.13A
	Max.	0.50A	0.23A	0.18A
Rated Power Consumption	Typ.	5.0W	4.5W	6.5W
	Max.	6.0W	5.5W	7.5W
Operating Ambient Temperature		-30°C ~ +70°C		
Operating Ambient Humidity		Less than 90% (No condensation)		
Storage Ambient Temperature		-40°C ~ +80°C		
Storage Ambient Humidity		Less than 90% (No condensation)		
Mounting Location		Indoors and Outdoors		
Mounting Direction		Upright ,Inverted and Sideways (In a wet environment, Upright only)		
Protection Rating		IP66 (IEC 60529)		
Environmental Condition		Upright Mounting		
Vibration Resistance		90m/s ²		
Insulation Resistance		More than 1MΩ at 500VDC between the terminals and the chassis		
Withstand Voltage		The following voltage is applied for 1 min between terminals and chassis without breaking insulation		
		500V AC	1000V AC	
Luminous Intensity		Red:112cd or more Amber: 177cd or more Green: 240cd or more Blue: 52cd or more White: 257cd or more		
Mass (Tolerance ±10%)		570g		
Flashing Rate		110±10 Flashes Per Minute (Triple Flash Pattern)		
Outer Dimensions		Refer to the "Dimensions" Drawing		
Conformity Standards		UL 1638, CAN/ULC-S526-M87		
		RoHS Directive (EN IEC 63000)		-
		EMC Directive (EN IEC 55015, EN 61547)		-
		FCC Part15 SubpartB Class A		-
Remarks		<ul style="list-style-type: none"> • UL Listed (File No.S24210) • There are no contents of controlled substances exceeding the threshold for the RoHS Directive. • Conforms to the CE Requirements (Except for LFH-48) • Conforms to the UKCA Requirements (Except for LFH-48) • The EMC level is in conformity with a requirements of ECE Regulation No.10 standards. (Except for LFH-48) <p>Accessories : Spring Washer (X3) 、 Washer (X3) 、 Nut (X3) 、 Instruction Manual</p>		

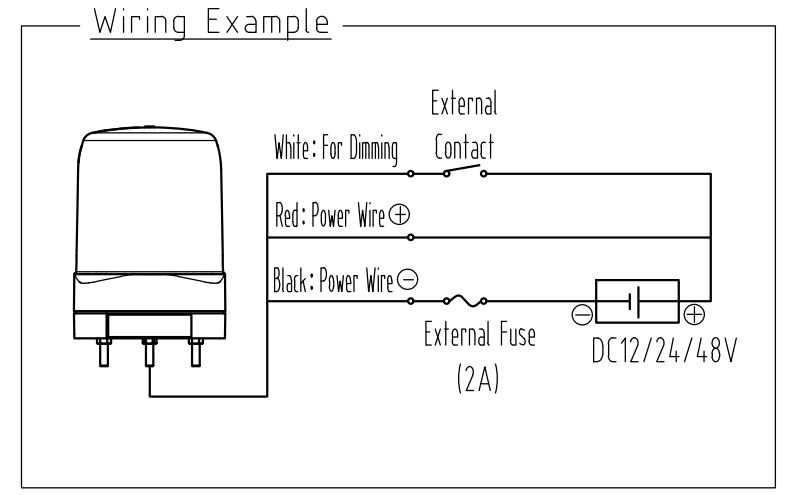
指定公差 General Tolerance	角度公差 ±[°]			寸法公差 ±[mm]							
	短辺長さ Length of short side	~	~100	6	30	120	300	1000			
	精 f	1	0.5	0.3	0.1	中 m	0.1	0.3	0.5	0.7	1
	粗 v	3	1.5	1	0.5	粗 c	0.3	0.5	1	1.2	2

図番 Drawing No.	LFH-12-W18	
改訂 Rev.	年月日 Date	改訂履歴 Revisions

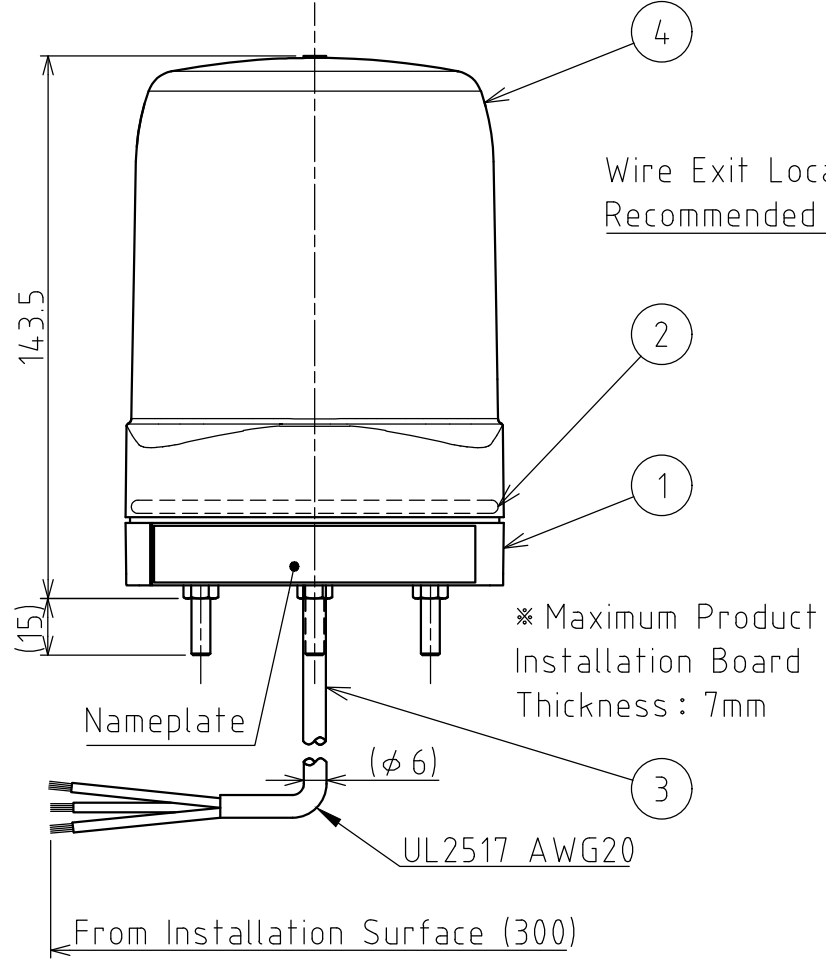
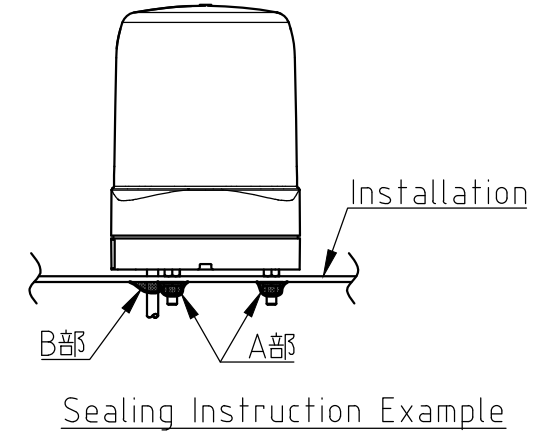
A
B
C
D
E
F



Installation Dimensions



※ To mount the product in the inverted position, seal the mounting bolts(Part-A) and Wire Exit Hole (Part-B) to insulate from water intrusion.



Dimensions

※ Maximum Product Installation Board Thickness : 7mm

Wire Exit Location (Recommended)
Recommended hole size : $\phi 10$

4	Globe	1	PC resin, Red/Yellow/Green/Blue/Clear
3	Power Supply Wire	1	
2	O-ring	1	Silicon, Gray
1	Body	1	ABS resin, Charcoal gray
番号 No.	部品名 Part Name	数量 Qty.	記事 Remarks

機種 Model	LFH-12/24/48	特注 No. S.P.No.	-	図名 Name	Dimensions
品目コード Part No.	-	尺度 Scale	1:2	三角法 3rd Angle P.	単位 Unit mm

株式会社 パトライト
PATLITE Corporation