

Drawing No.	Rev.	Page
HSST-3M2-W18	D	1 / 5

SPECIFICATIONS

Model: HSST-3M2-RYG

PATLITE Corporation

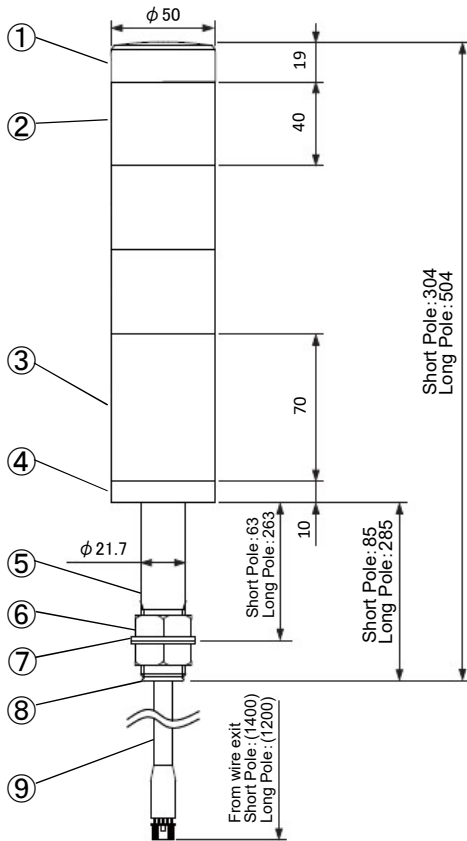
1. General Specifications

Model	HSST-3M2-RYG			
UL Registered Model	HSST-3M2			
Rated Voltage	AC Adaptor input : 100~240VAC (50/60Hz) Output : 24VDC			
Operating Voltage Range	Rated Voltage $\pm 10\%$			
Rated Power Consumption	Max.	When all 3 tiers are on		
		4W		
Operating Ambient Temperature	0°C ~ +40°C			
Operating Ambient Humidity	20% ~ 80% RH (No Condensation)			
Mounting Location	Indoor Only			
Mounting Direction	Upright			
Protection Rating	Switch Box : IP20 (IEC 60529)			
	Signal Tower : IP54 (IEC 60529)			
Environmental Condition	Upright			
Insulation Resistance	5M Ω or more at 500VDC between the power input lead and chassis			
Withstand Voltage	1500VAC applied for 1min between live part and non-current carrying metallic part without breaking insulation			
Mass	Signal Tower (When using Short Pole)		0.36kg $\pm 10\%$	
	Signal Tower (When using Long Pole)		0.47kg $\pm 10\%$	
	Bracket		0.33kg $\pm 10\%$	
	Switch Box		0.07kg $\pm 10\%$	
	AC Adaptor		123g $\pm 12\%$	
	AC Plug	UL	Approx.7g	
		CCC	Approx.7g	
		VDE	Approx.15g	
		KC	Approx.17g	
UK		Approx.16g		
Fitting Plate, Tightening Screw		0.05kg $\pm 10\%$		
Outer Dimensions	Refer to 2. Outer Dimensions			
Conformity Standards	FCC Part 15 SubpartB Class A			
	UL 48, CSA C22.2 NO.207			
	EN61000-6-4, EN61000-6-2, EN61000-3-2, EN61000-3-3 EN IEC 63000			
Remarks	UL/cUL Listed(File No.E310210)			
	Conforms to the CE Requirements			
	Conforms to the UKCA Requirements			
	Due to the characteristics of the LED elements, a variation in difference of the color tone and brightness of every product may occur			
HSST-3M2-W18D-2_5				
PATLITE Corporation				

2. Outer Dimensions

(Unit: mm)

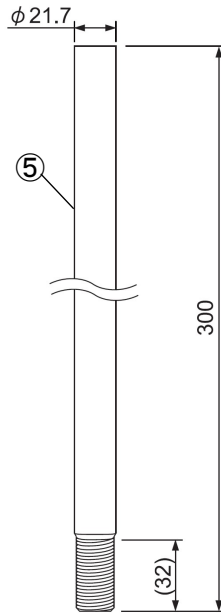
● Signal Tower



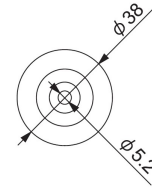
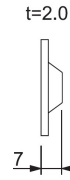
• Cable: UL2464(φ5.2)

Number	Name	Material	UL Flammability
1	Head Cover	PC	V-2
2	Globe	PC	V-2
3	Body	PC	V-2
4	Pole Bracket	PC	V-1
5	Pole (Short/Long)	AL	-
6	Hex Nut	SUM	-
7	Washer	SUM	-
8	Rubber Bushing	EPR	-
9	Cable	PVC	-

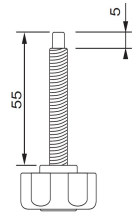
● Long Pole



● Fitting Plate



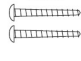
● Tightening Screw



Accessory

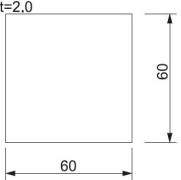
Tapping Screw

3X18



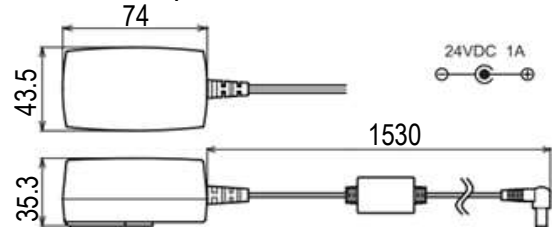
2 pcs.

Double-sided Tape








1 pc.

● AC Adaptor



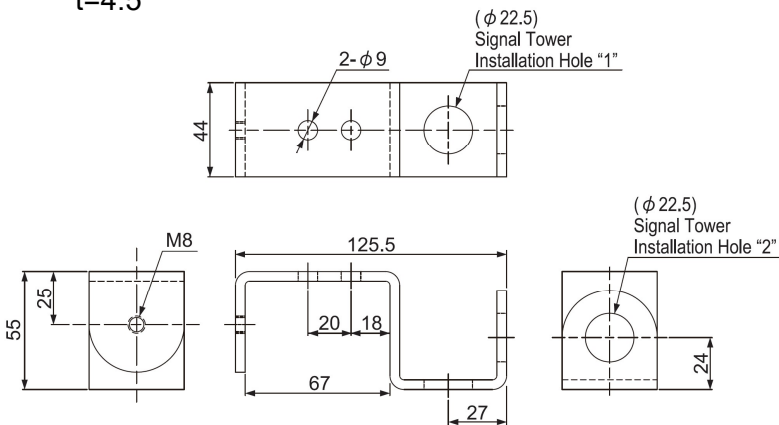
Accessories (AC Plug)

UL CCC VDE KC UK

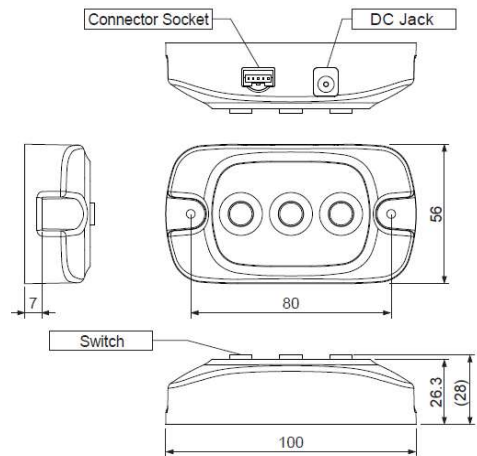
● Bracket

t=4.5



Name	Material
Bracket	SPHC-P

● Switch Box

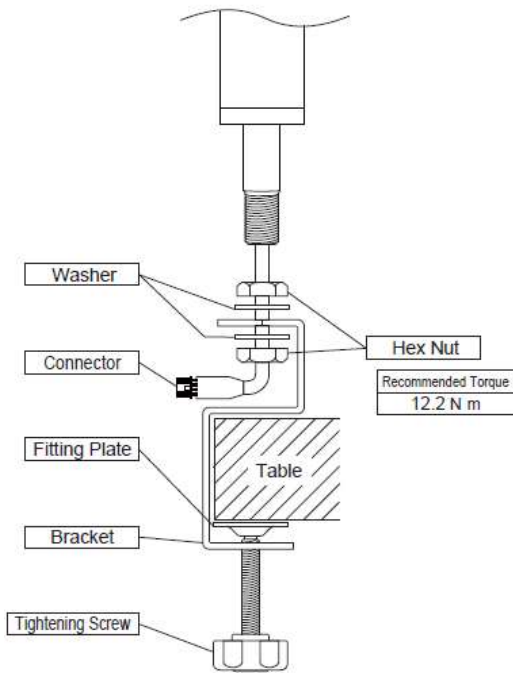


Name	Material	UL Flammability
Case (Switch Box)	PC	V-2

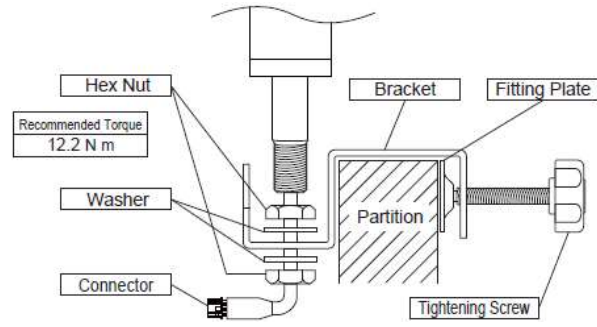
3. Mounting

3.1 Product Installation

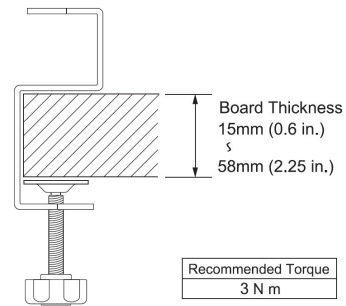
3.1.1 Table Installation



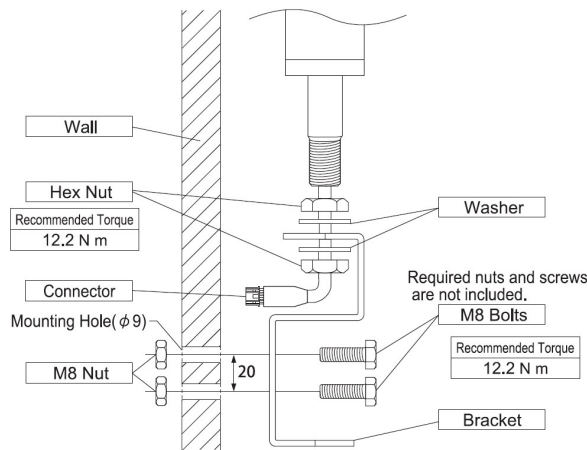
3.1.2 Partition Installation



※Allowable Board Thickness (For installation):



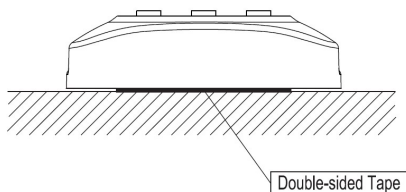
3.1.3 Wall-mount Installation



3.2 Switch Box Installation

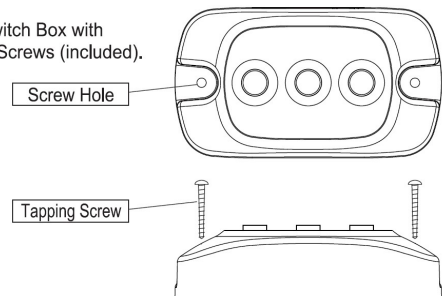
3.2.1 Double-sided Tape Installation

Install the Switch Box by cutting and pasting the Double-sided Tape (included).



3.2.2 Tapping-screw Installation

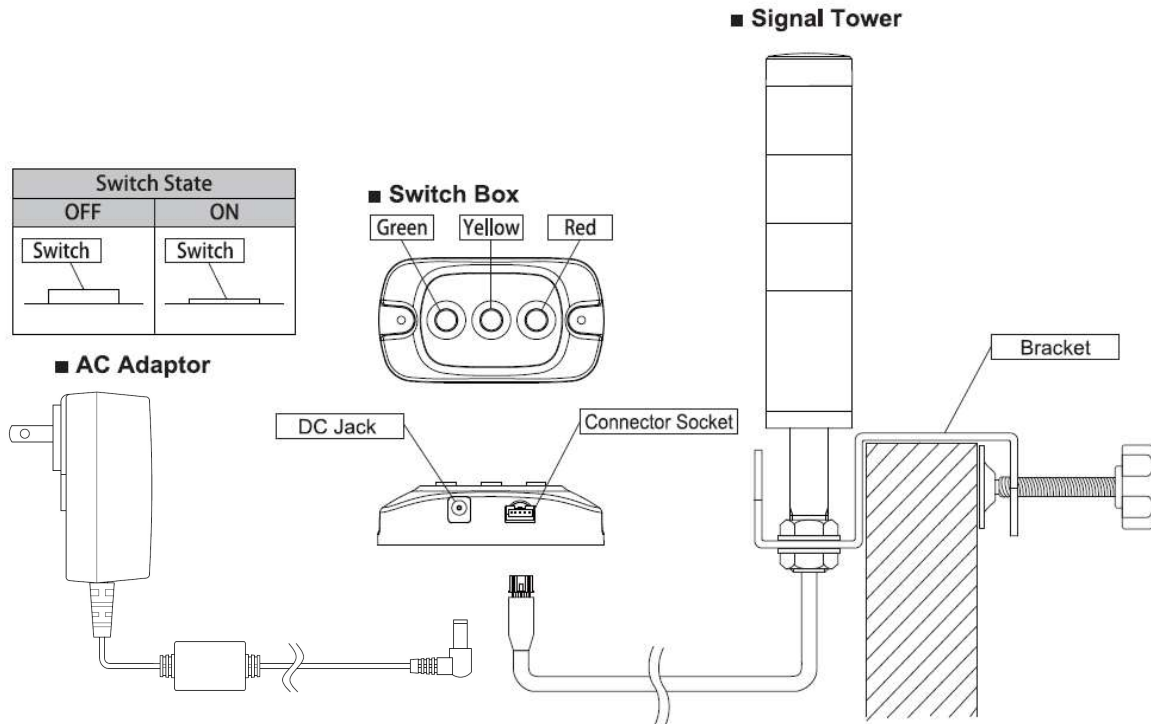
Install the Switch Box with the Tapping Screws (included).



4. Wiring/Operation

4.1 Wiring and Operation

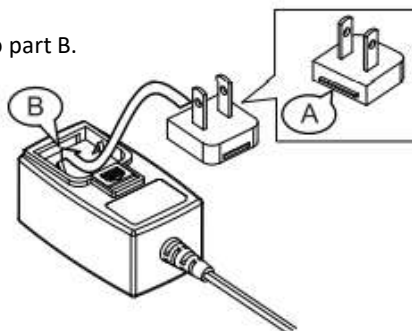
- After connecting the connector cable of this product into the connector socket located on the side of the Switch Box, then plugging the DC Jack into the DC Plug, insert the AC Adaptor into an AC (Range from 100VAC to 240VAC) outlet. Each time the switch is pressed, the corresponding Signal Tower LED Unit switches alternately between lit and unlit modes.



AC Adaptor

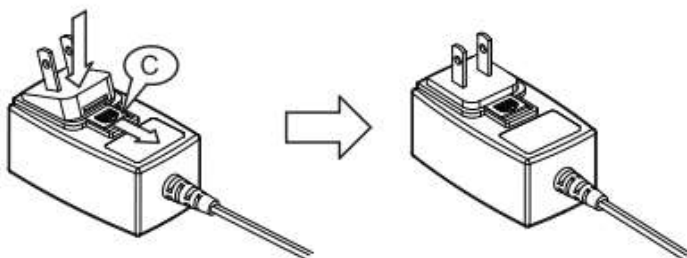
STEP1:

Insert part A into part B.



STEP2:

Be sure to push in the AC plug from the top, while pulling section C downward.



STEP3:

Insert the DC jack into the product to be powered.

STEP4:

Insert the AC plug portion into the appropriate outlet to supply power to the product.