

Drawing No.	Rev.	Page
NE-24A-W18	C	1/2

SPECIFICATIONS

[General Specifications]

Product Name		Signal Beacon
Model		NE-24A-□
Rated Voltage		24V DC
Operating Voltage Range		Rated Voltage ±10%
Rated Current Consumption	Typ.	22mA
	Max.	26mA
Rated Power Consumption	Typ.	0.6W
	Max.	0.7W
Operating Ambient Temperature		-30°C to +50°C
Operating Ambient Humidity		Less than 90% (No condensation)
Storage Ambient Temperature		-40°C to +75°C
Storage Ambient Humidity		Less than 90% (No condensation)
Mounting Location		Indoor
Mounting Direction		All Directions
Protection Rating		IP65, NEMA TYPE 4X, 13
Environmental Condition		All Directions
Insulation Resistance		More than 5MΩ at 500VDC between live part and non-current carrying metallic part
Withstand Voltage		500VAC applied for 1min between live part and non-current carrying metallic part without breaking insulation
Mass (Tolerance ±10%)		0.06kg
Outer Dimensions		Refer to the Outer Dimension Drawing
Conformity Standards		EMC Directive (EN 61000-6-4, EN 61000-6-2) RoHS Directive (EN IEC 63000) UL 508, CSA-C22.2 No. 14
Remarks		Due to the characteristics of the LED elements, a variation in difference of the color tone and brightness of every product may occur. Conforms to the CE Requirements Conforms to the UKCA Requirements

Model Number Configuration

NE- 24 A - R

LED Color

R	: Red
Y	: Amber
G	: Green
B	: Blue
C	: White

Rated Voltage

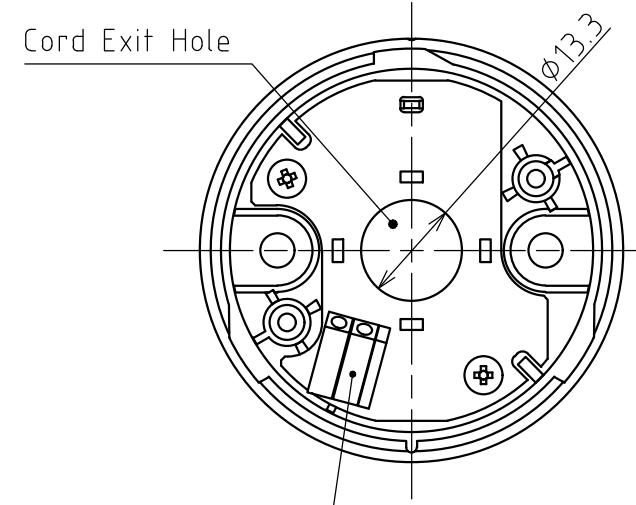
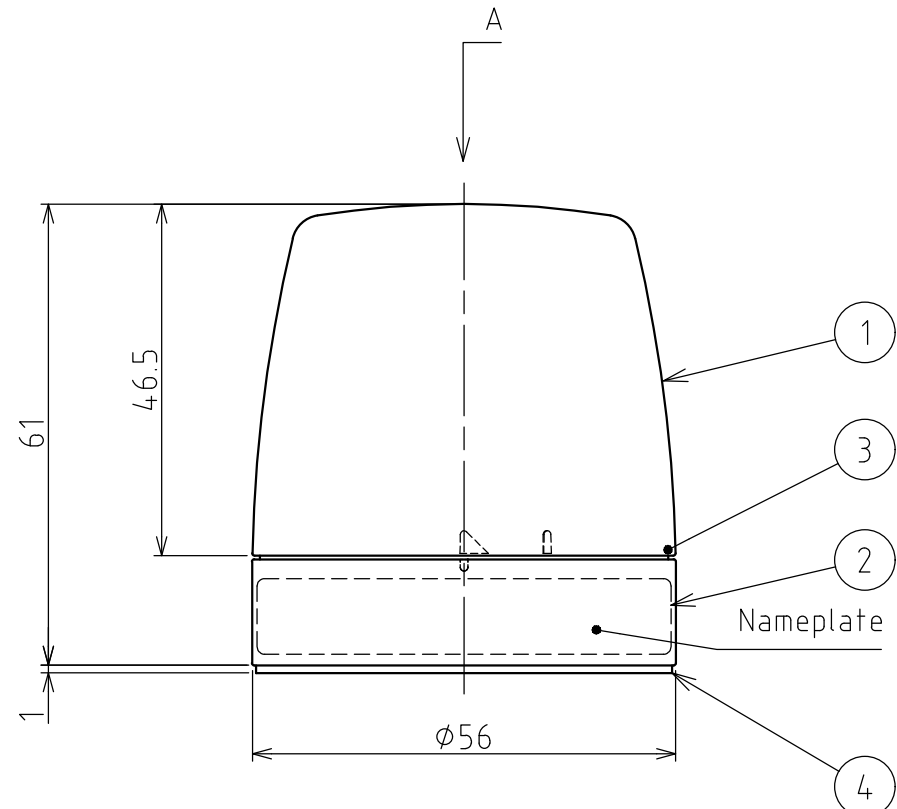
24	: 24V DC
----	----------

指定公差 General Tolerance	角度公差 ±[°]			寸法公差 ±[mm]					図番 Drawing No. NE-24A-W18	改訂 Rev. 年月日 Date 改訂履歴 Revisions	ページ Page			
	短辺長さ Length of short side	~	~100	6	30	120	300	1000			△	2/2		
	精 f	1	0.5	0.3	0.1	中 m	0.1	0.3				0.5	0.7	1
	粗 v	3	1.5	1	0.5	粗 c	0.3	0.5				1	1.2	2

改訂 Rev.	年月日 Date	改訂履歴 Revisions
---------	----------	----------------

ページ Page	2/2
----------	-----

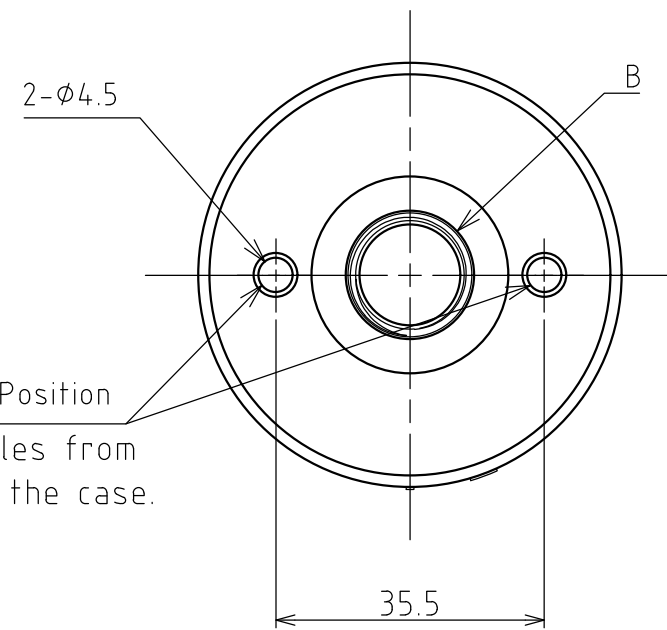
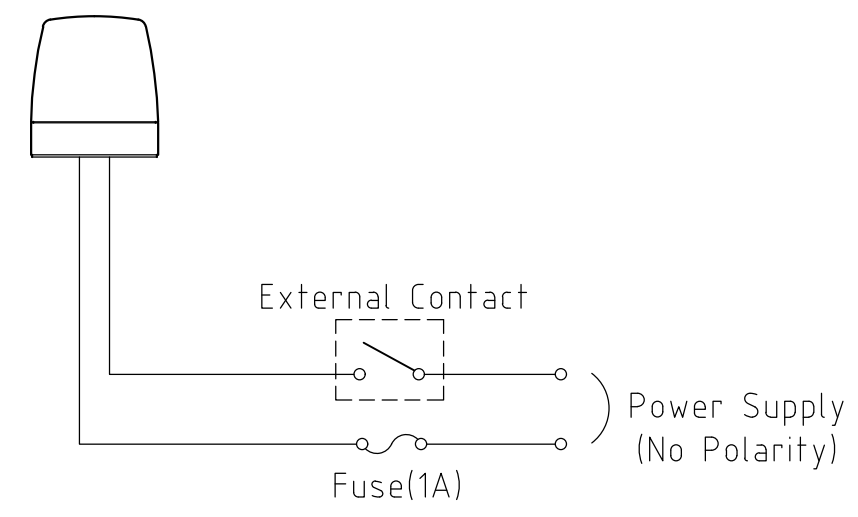
A
B
C
D
E
F



Screwless terminal block
Applicable Wire
Solid Wire: 0.2mm²~1.5mm²
Stranded Wire: AWG 24~16

View A(Without Globe)

Writing Example



Mounting Hole Position
※ Drill the holes from the top on the case.

- [Note]
1. Cable gland of M16(P=1.5) can be attached to part B.
2. This product has no power cord, Use the Screwless terminal block on mounting plate to connect the power supply.

4	Waterproof sheet	1	Silicone rubber, Black
3	O-ring	1	Silicone rubber, Black
2	Case	1	PC, Off-dark Gray
1	Globe	1	PC, (Red・Amber・Green・Blue・White)
番号 No.	部品名 Part Name	数量 Qty.	記事 Remarks

機種 Model	NE-24A	特注 No. S.P.No.	-	図名 Name	Outer Dimension Drawing
品目コード Part No.	-	尺度 Scale	-	三角法 3rd Angle P.	単位 Unit mm
				株式会社 PATLITE Corporation	Ver.2.0