

Drawing No.	Rev.	Page
SZP-102-W18	C	1/3

SPECIFICATIONS

[1. General Specifications]

Product Name	NPT Bracket	
Model	SZP-102/SZP-103/SZP-104	
Mounting Direction	Upright	
Mass (Typ.)	SZP-102	0.36kg
	SZP-103	0.57kg
	SZP-104	1.32kg
Protection Rating	IP20(With product attachment)	
Environmental Condition	Upright	
Remarks	There are no contents of controlled substances exceeding the threshold for the RoHS Directive.	

[2. Model Number Configuration]

NPT Bracket	Model	-	Applicable Models
	SZP		⊕

Applicable Models	
102	SF08-M□KT□/SL08-M□KT□/SF08-M□JN/SL08-M□JN/SKS-M□J
103	SF10-M□KT□/SL10-M□KT□/SF10-M□JN/SL10-M□JN/SKH-M□J□/SKH-M□T□ LR10-□□WJ□W
104	SL15-M□KTN/SL15-M□JN/SKP-M□J

[3. Outer Dimension Drawing]

3.1 SZP-102

Product Mounting Hole 2 Places
SF08-M□KT□/SL08-M□KT□

Product Mounting Hole 3 Places
SF08-M□JN/SL08-M□JN/SKS-M□J

⌀15
Cord Exit Hole

⌀80

30

①

3 - ⌀12

1/2"NPT Internal Threads

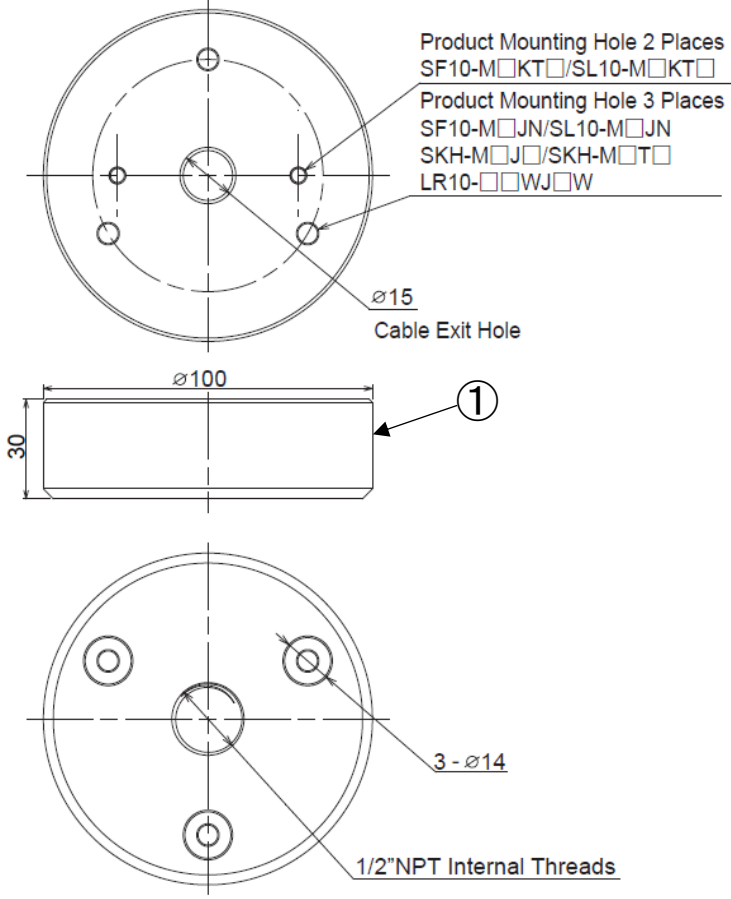
[mm]

No.	Name	Material
1	NPT Bracket	AL

Drawing No.	Rev.	Page
SZP-102-W18	C	2/3

3.2 SZP-103

[mm]



No.	Name	Material
1	NPT Bracket	AL

Drawing No.	Rev.	Page
SZP-102-W18	C	3/3

3.3 SZP-104

[mm]

No.	Name	Material
1	NPT Bracket	AL

