

Interface Converter
PHE-3FB3-RYG
User's Manual

For Models

PHE-3FB3-RYG

PHE-3FB3N-RYG

Table of Contents

Introduction	3
Notice	3
FCC Compliance	3
Product Checklist	3
For safe application, observe the following:	4
Cautionary Notes	4
1. Part Names and Dimensions	5
1.1. Model Number Configuration	5
1.2. Part Names	5
1.2.1. Main Unit	5
1.2.2. AC Adaptor	5
1.3. Outer Dimensional Drawing	6
1.3.1. Main Unit	6
1.3.2. AC Adaptor	6
2. Product Installation	7
2.1. Rubber Feet Installation	7
2.2. RS-232C Port Wiring	8
2.3. USB Port Wiring	9
2.4. "Set" Switch	10
2.5. Buzzer Switch	10
2.6. Volume adjustment	11
2.7. "Clear" Switch	12
2.8. Power Activation	12
2.9. About AC Adaptor	13
3. Communication Specifications	14
3.1. Communication Set Up	14
3.2. Normal Operation Mode	14
3.2.1. Frame Format	14
3.2.2. Command Explanation	15
3.3. Flash/Alarm Patterns	22
3.3.1. LED Pattern	22
3.3.2. Buzzer Pattern	22
3.4. PHU Compatibility Mode	23
3.4.1. Frame Format	23
4. Specifications	24
5. Maintenance and Inspection	25
6. Replacement Parts Option Parts	26
6.1. Replacement Parts	26
6.2. Option Parts	26
6.2.1. Tint Film	26
6.3. About LED Unit and Buzzer Unit	27
6.3.1. How to attach and detach LED Unit and Buzzer Unit	27
7. Troubleshooting	30

Introduction

Thank you for purchasing the PATLITE “PHE-3FB3-RYG” (henceforth, written as “this product”) Interface Converter. Before installation and use, read this manual (henceforth, written as “this book”) and follow the cautions and guidelines presented. In addition, store this manual for future reference when performing maintenance, repairs or inspections. When performing maintenance and repairs, etc., be sure to reread this book. After reading this book, if there are any questions regarding this product, contact your PATLITE Sales Representative from the contact list indicated at the end of this book.

Notice

- ▶ The copyrights of this book is owned by the PATLITE Company, Inc. (henceforth, referred to as “our company”). Any reproduction, duplication, alteration, or extracting portions of this book, etc., without written permission from our company is forbidden.
- ▶ Specifications, the design, and other contents written in this book may be changed for improvements without prior notice and may result in differences from the actual product purchased.
- ▶ This product meets severe quality control and inspection requirements prior to shipment, but if some failure or defect is found, please contact the place of purchase, or your PATLITE Sales Representative (indicated on the last page) to solve the issue.
- ▶ Please understand that our company does not take any responsibility for damage and other disadvantages this product (software is included) has caused due to the customer using this product outside its designed application, such as for home, office and industrial use, high security applications such as medical or systems related to human life, directly or indirectly, or from claims from any third parties. Please understand prior to use that no responsibility is taken at our company for damages or other disadvantages, due to customers using this product beyond the scope of its general application, or from any claims from third parties. When using this product for applications in which equipment of higher reliability than the general application demands, such as a computer system, etc., use suitable safety design countermeasures against system failure, etc.
- ▶ Please understand that our company does not take any responsibility for damage and other disadvantages this product (software is included) has caused due to the customer using this product, or any claims from third parties.
- ▶ This product, and the AC Adaptor included, contains no contents of controlled substances which exceeds the threshold of the RoHS Directive.

FCC Compliance

This equipment has been tested and found to comply with the limits for a Class A digital device, pursuant to Part 15 of FCC Rules and RSS-Gen of IC Rules. These limits are designed to provide reasonable protection against harmful interference when the equipment is operated in a commercial environment. This equipment generates, uses and can radiate radio frequency energy and, if not installed and used in accordance with the instruction manual, may cause harmful interference to radio communications. Operation of this equipment in a residential area is likely to cause harmful interference in which case the user will be required to correct the interference at his own expense.






Product Checklist

The following items are contained with this product.

- Main Unit (1 Body)
- Installation Manual (1 Sheet)
- Rubber Feet (4 pcs.)
- AC Adaptor (1 Unit) (PHE-3FB3-RYG Model Only).
- Sound Reduction sheet (1 pcs.)




For safe application, observe the following:




The following symbols classifies the following into different categories and explains the level of harm inflicted if the cautions are disregarded.

 Warning	Indicates an imminently dangerous condition: failure to follow the instructions may lead to death or serious injury.
 Caution	Indicates a potentially dangerous condition: failure to follow the instructions may lead to slight injury or property damage.
 Prohibited	This symbol indicates "Prohibited", which should not be carried out by any means.
 Enforced	This symbol indicates "Enforced", which should be observed and carried out by all means.
 MEMO	Notice regarding supplementary information or convenient explanation is indicated.

Cautionary Notes

Prior to installation, read all notes and use this product correctly.

 Warning	
	<ul style="list-style-type: none"> Do not modify or disassemble this product. Failure to follow these instructions could result in fire or electric shock. Do not use this product when there is condensation. Failure to follow these instructions could result in fire or electric shock. Do not leave or use this product while the LED unit are detached or broken. Doing so may result in electric shock. Do not touch the electric socket with wet hands. It may result in electric shock. Do not allow the voltage to exceed the specified voltage tolerance. Exceeding the voltage ratings beyond the rated voltage will cause internal circuitry damage. Moreover, possible fire may also occur. Do not disconnect and re-insert the DC plug while the AC adaptor is plugged in. Possible electric shock and damage may occur.
	<ul style="list-style-type: none"> Always use a power supply within the operating voltage range. Failure to follow this instruction could result in fire or product failure. In the unlikely event that there is an abnormal situation such as smoke or odors emitting from the product, immediately cut the power supplied to the product. Continued use of the product in this condition could result in fire or electric shock. When plugging into the power receptacle, be sure to check there is no dust accumulation on the plug, and insert into the power receptacle completely. By allowing dust to adhere, it can be the result of fire or failure from short-circuiting. Since dust can accumulate After a long time, and with moisture, can cause the dust to become conductive, in order to prevent the phenomenon of ignition from dust accumulation, it is best to periodically wipe the transformer and socket terminal with a damp cloth. By allowing dust to adhere to the power receptacle, it can be the result of fire or failure from short-circuiting. When an unusual odor, sound or smoke comes out of the product, immediately disconnect the power, then contact your nearest PATLITE Sales Representative. When an unusual odor, sound or smoke comes out of the product, immediately disconnect the power, then contact your nearest PATLITE Sales Representative. In order to prevent serious effects on human life and property etc. caused by malfunction of this product, ensure sufficient safety such as using in combination with other equipment.

 Caution	
	<ul style="list-style-type: none"> Do not expose it to high temperatures, such as near a fire and do not use it in humid places. Moreover, do not use this machine in locations where corrosive or combustible gas is present. If foreign substances, such as water, medicine; or metals, such as copper, low carbon steel wire, fall into this product, please do not use it. Possible cause of failure may occur. Do not bend the power supply cables or signal wires recklessly. Failure to comply will result in possible malfunction due to disconnection. Do not install or run wiring near, or where equipment (such as solenoids, etc.) generate strong electric or magnetic fields, or near any power lines. Failure to comply may result in malfunction due to inductive noise. Do not place any part of this product (Body, AC Adaptor, Rubber Feet) where infants can reach it. If it is swallowed accidentally, it could be detrimental. If it is suspected of being swallowed, consult an emergency medical center immediately. Do not use excessive force to set up the switches. Possible damage or malfunction may occur. Do not adjust switches with a sharp object. Possible damage to switches may cause it to be impossible to operate or cause partial movement of the contacts.
	<ul style="list-style-type: none"> Please place this product on a level surface, such as a desk etc. When installing in high places, such as a top shelf, fix the Main Unit so it cannot move or fall.

1. Part Names and Dimensions

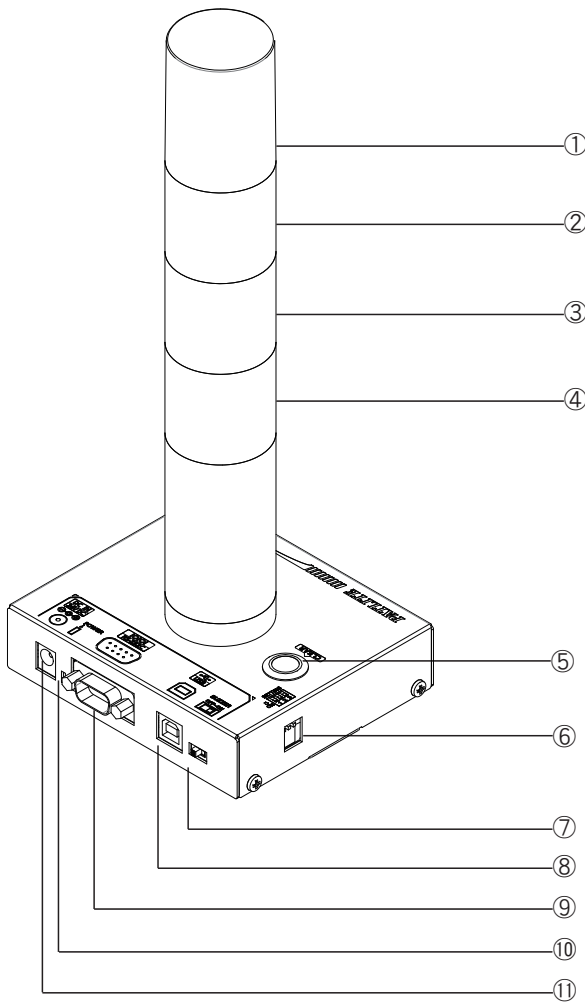
1.1. Model Number Configuration

PHE-3FB3 -RYG

■ AC Adaptor
 None: AC Adaptor included
 N: AC Adaptor not Included

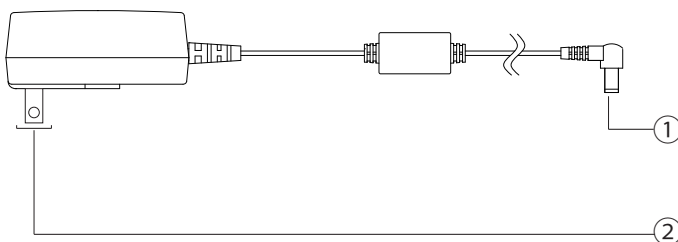
1.2. Part Names

1.2.1. Main Unit



Number	Name
1	Buzzer Unit
2	Red Unit
3	Amber Unit
4	Green Unit
5	"Clear" Switch
6	"Set" Switch
7	"Buzzer" Switch
8	USB Port (Type-B)
9	RS-232C Port (D-sub 9 pin male)
10	Power LED
11	DC Jack

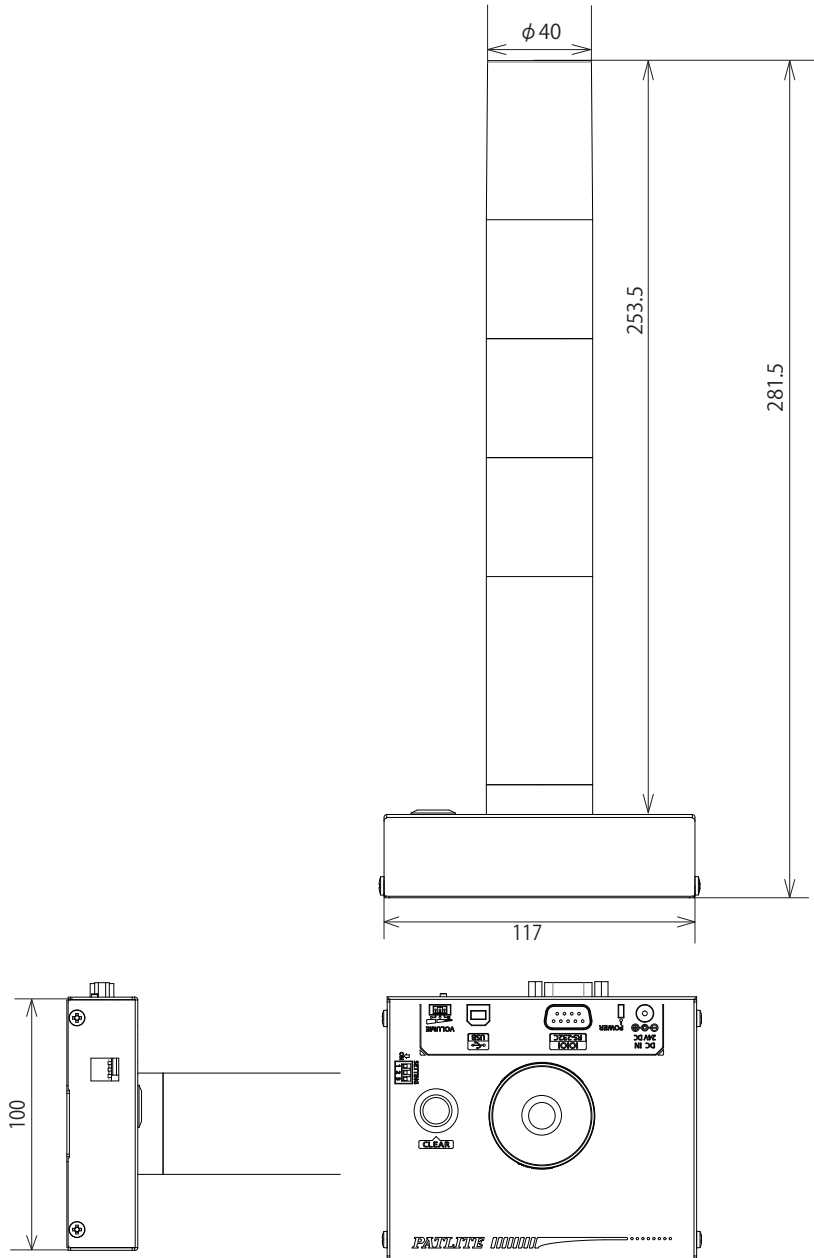
1.2.2. AC Adaptor



Number	Name
1	DC Plug
2	AC Plug

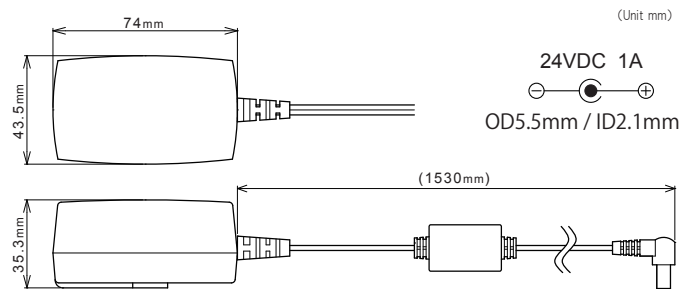
1.3. Outer Dimensional Drawing

1.3.1. Main Unit



(Unit: mm)

1.3.2. AC Adaptor



(Unit: mm)

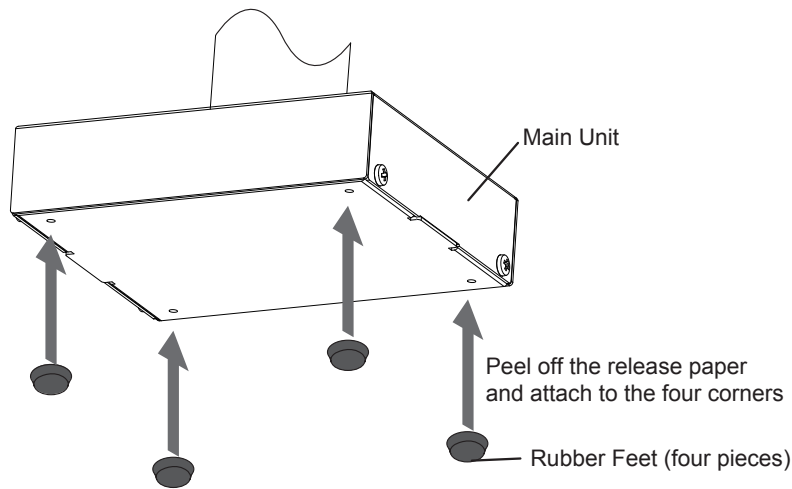
2. Product Installation

⚠ Caution	
!	<ul style="list-style-type: none">• This product is designed for indoor use. Use this product in a location where it is not exposed to rain and water. Exposure to rain and water may result in failure and electric shock.• Install this product where the surface is stable and level. If this product is installed in an unstable location or on an incline, the product may fall, resulting in damage.• When installing this product, avoid installing it in the following places:<ul style="list-style-type: none">■ Where it's exposed to direct sunlight■ Where high temperatures are present, such as near fire, or in a humid place■ Where drastic temperature and humidity changes are present■ Where it's exposed to an environment with poor ventilation■ Where it's exposed to vibrations exceeding the specifications■ Where it's exposed to corrosive gas■ Where it's exposed to a salty air environment■ Where it's exposed to dust, iron powder, etc.■ Where it's exposed to high concentrations of chemicals or oil mist■ Where it's exposed to rain, or other types of wet environments

2

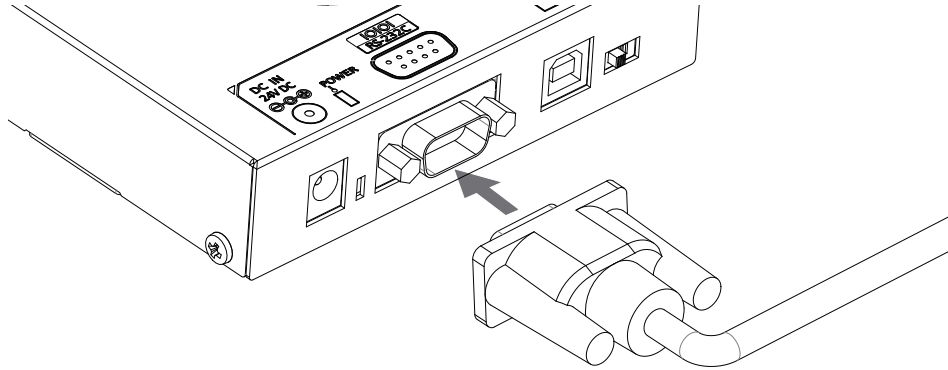
2.1. Rubber Foot Installation

Prior to the installation of this product, attach the enclosed rubber feet (four pieces) to the bottom surface of this product.



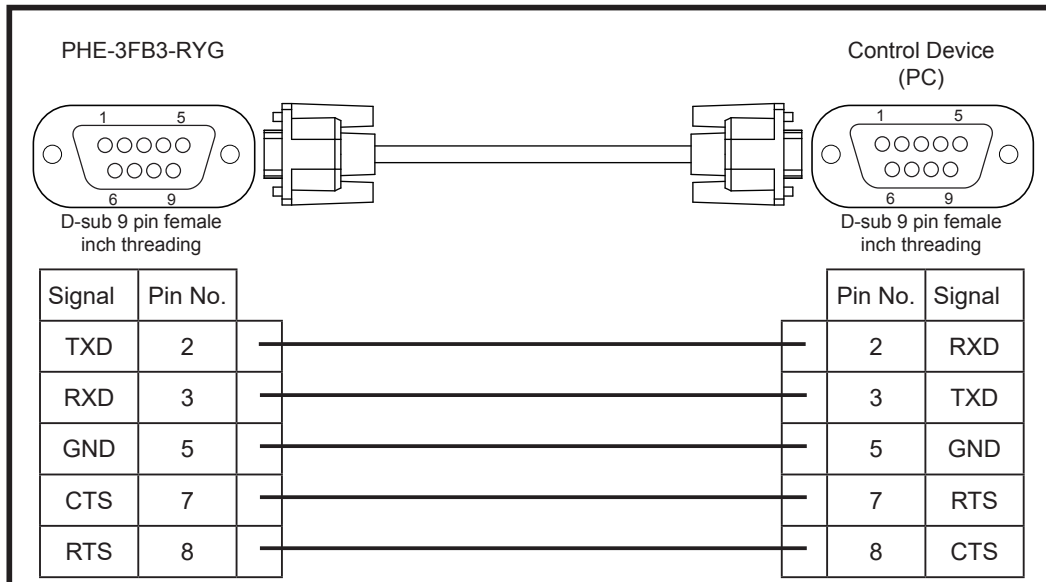
2.2. RS-232C Port Wiring

By connecting the RS-232C (male) of this product to an RS-232C port of a PC with a D-sub 9 pin female-to-female type cable with a straight wire connection, this product can be controlled via RS-232C transmission.



*The RS-232C cable is not included. Please purchase it separately.

Connect the cables with the connection pin numbers listed below. The pin numbers not showing will not affect the operation of this product.

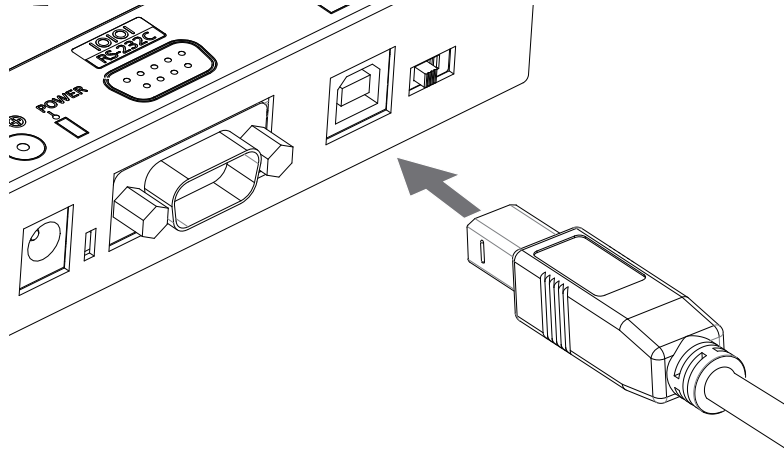


⚠ Caution	
⊘	<ul style="list-style-type: none"> Do not bundle the RS-232C cable with power supply cords when being used. Failure to comply may result in malfunction from power line noise. Do not connect the RS-232C cables simultaneously. Failure to comply may result in malfunction.
⚠	<ul style="list-style-type: none"> Please use the RS-232C cable and USB cable one - to - one with the port of the connected equipment (PC etc.). When used in conjunction with other equipment, malfunction may occur, and the main unit and connected equipment may be damaged.

2.3. USB Port Wiring

This product can be controlled by connecting the USB (Type B) port from the main unit to the USB port of a PC. Since this product conforms to USB Bus Power, it can be used without an AC adapter.

This product requires installation of a specialized driver for the PC before being connected to a PC via the USB. Go to our PATLITE homepage (www.patlite.com) to download the installer.



*The USB cable is not included. Please purchase it separately.

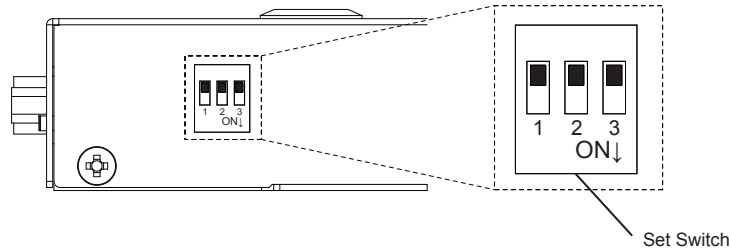
⚠ Caution	
⊘	<ul style="list-style-type: none"> Do not connect the USB cables simultaneously. Failure to comply may result in malfunction. Do not insert or pull out the USB cables while the power supply is turned on. Do not bundle the USB cables with power supply cords when being used. Failure to comply may result in malfunction from power line noise.
!	<ul style="list-style-type: none"> Depending on the feeding power capability of the Main Unit or the USB port of the personal computer, operation may become unstable. Use an AC Adaptor if this condition occurs. Use this product by connecting the USB cable directly, without the use of a USB hub. Failure to comply may cause unstable operation. Do not use devices other than the connected device (PC etc) with the USB cable. If used in combination with other equipment, it may cause malfunctions, resulting in unstable operation.

MEMO

- When installing exclusive drivers for compatible Operating Systems, etc., refer to the instructions attached to the drivers.
- It is recommended to use a USB cable with a length of 2m or less. A cable longer than 2m may cause unstable operation due to noise from the surrounding environment.

2.4. "Set" Switch

The operation mode of this product can be changed by changing the "Set" switch located on the side of this product, before power activation.



The operation modes available are as follows:

Operation Mode	Set Switch			Function
	1	2	3	
Normal Operation Mode	OFF	OFF	OFF	Operation by commands of "3.2. Normal Operation Mode"
PHU Compatible Mode	OFF	OFF	ON	Operation by commands of "3.2. Normal Operation Mode"
Firmware Update Mode	ON	OFF	OFF	Updating firmware for this product

MEMO

- For instructions on updating the firmware, download the instructions from Patlite's home page and check the manual.

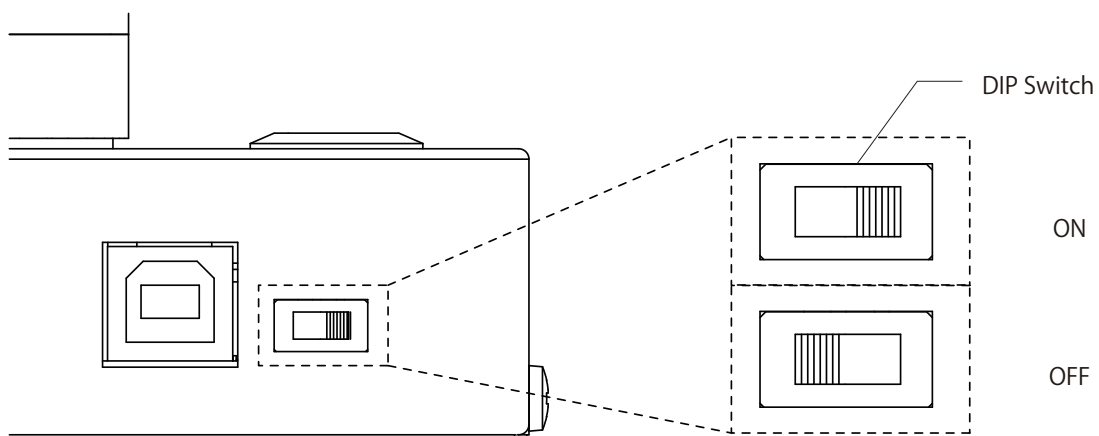
! Caution



- During normal operation mode and firmware update mode operation, even if it sends commands during the PHU compatibility mode, don't operate it. After changing Modes with the Set Switch, re-switch on the power source before transmitting.
- During PHU compatibility mode, or firmware update mode operation, even if it sends the command in normal operation mode, don't operate it. After changing Modes with the Set Switch, re-switch on the power source before transmitting.

2.5. Buzzer Switch

It is possible to adjust ON or OFF by moving the buzzer switch left and right.



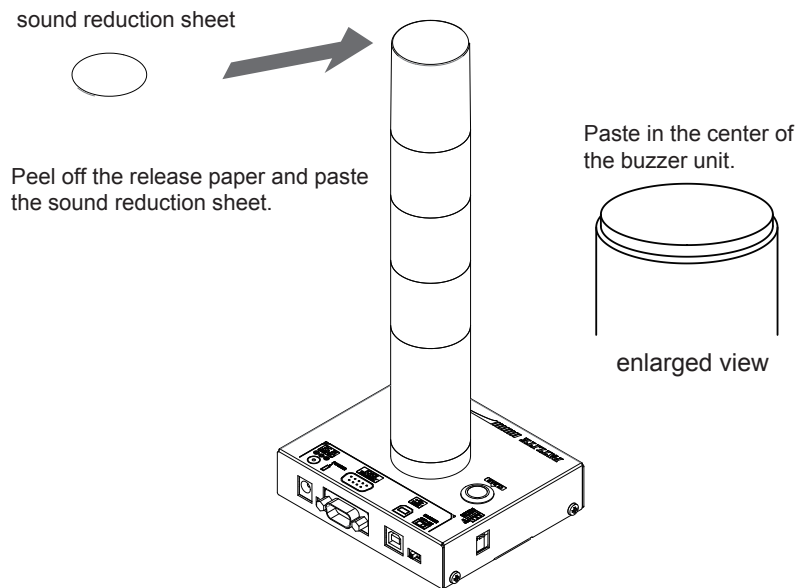
MEMO

- If it is set to OFF, the buzzer not sound

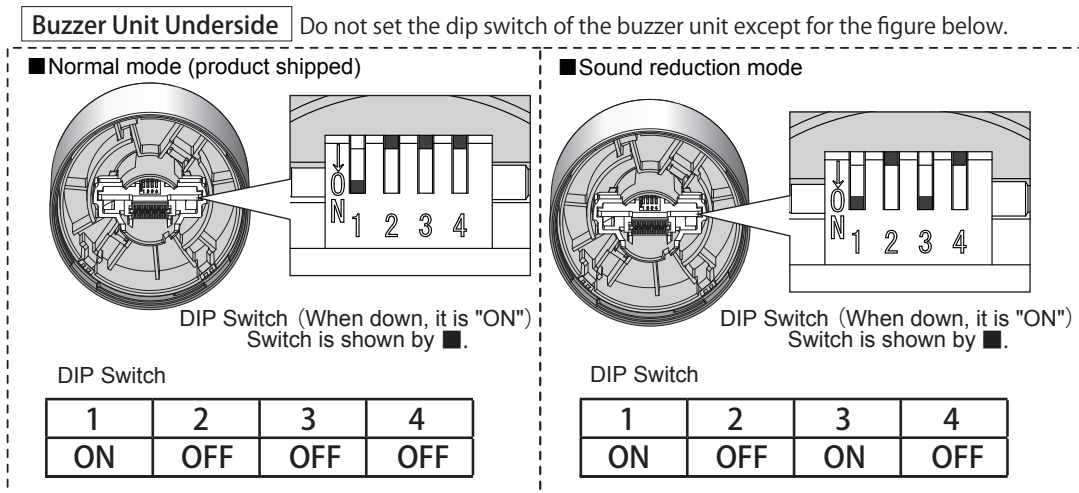
2.6. Volume adjustment

To adjust the volume, use the sound reduction sheet or set the dip switch inside the buzzer unit. It is written about the installation and removal of the buzzer unit and the LED unit in the instruction manual posted on our website.

- When using the attached sound reduction sheet
Please paste the sound reduction sheet on the buzzer unit upper part.



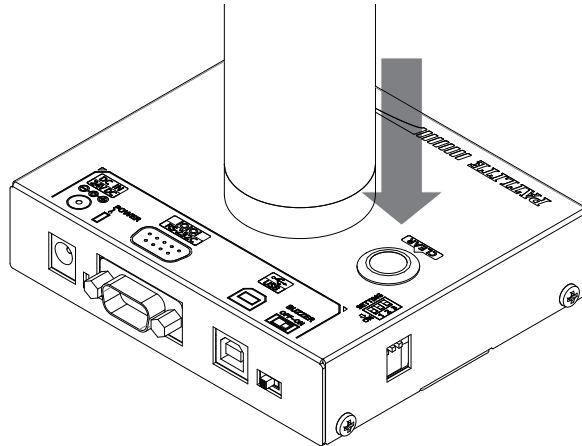
- When using the DIP switch in the buzzer unit
To sound reduction, please turn on DIP switches 1 and 3 as shown below.



⚠ Caution	
⊘	<ul style="list-style-type: none"> • Do not use excessive force to set up the switches. Possible damage or malfunction may occur. • Do not adjust switches with a sharp object. Possible damage to switches may cause it to be impossible to operate or cause partial movement of the contacts.

2.7. "Clear" Switch

All output terminals for this product can be turned "OFF" by pushing down on the "Clear" switch.



2.8. Power Activation

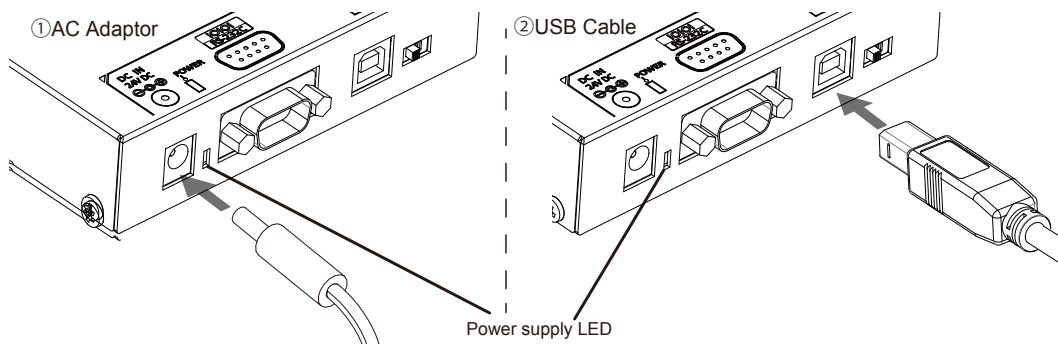
Two options for power activation are available for this product, using the AC adaptor or USB bus power. Select among the power sources below that match your environment and turn on the power.

1. When using an AC adaptor:

Insert DC plug into the main body of this product, and insert the AC adaptor into an outlet. When power is switched on, the power LED will light up.

2. When using USB Bus Power

Insert the USB cable into main body of this products and insert the top of the USB cable into the PC which has compatible bus power. When power is switched on, the power LED will light up.



⚠ Warning	
⊘	<ul style="list-style-type: none"> Do not disconnect and re-insert the DC plug while the AC adaptor is plugged in. Possible electric shock and damage may occur. Do not touch the electric socket with wet hands. Failure to comply will result in electric shock.
!	<ul style="list-style-type: none"> When plugging the AC Adaptor into the power receptacle, be sure to check there is no dust accumulation on the plug, and be sure to insert it into the power receptacle completely. By allowing dust to adhere to the AC Adaptor plug, it can result in fire or failure from short-circuiting.

⚠ Caution	
!	<ul style="list-style-type: none"> Depending on the capacity of the power supply for the PC or Main Unit USB port, operation may become unstable. Use an AC Adaptor if this occurs. Use this product by connecting it directly, do not use a USB hub. Failure to do so may cause unstable operation.

MEMO

• When operating with USB bus power, the LED units get dark.

2.9. About AC Adaptor

⚠ Warning	
!	<ul style="list-style-type: none"> When using an AC adaptor other than our AC adaptor (ADP-001), be sure to use the AC adaptor that conforms to the recommended specifications. Using an AC adaptor that does not meet the recommended specifications could result in fire or product failure. Be sure to use the AC adaptor equipped with the overcurrent protection. Using an AC adaptor that does not have an overcurrent protection function could result in fire or product failure.

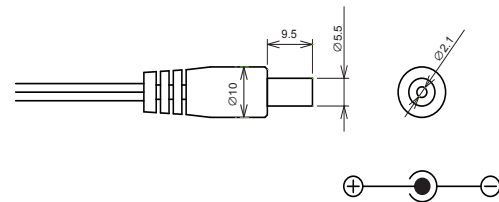
Use the AC adaptor included in the product. To order an AC adaptor separately, purchase our AC adaptor(ADP-001).

When using N model (AC Adaptor not included) and AC adaptor other than ADP-001, use AC adaptor with the following specifications.

[Recommended AC Adaptor Specifications]

DC Secondary Output

Voltage	: 24V DC $\pm 5\%$
Current	: 0.75A or more and 1A or less (With overcurrent protection)
Plug Length	: 9.5mm or more
Plastic Housing	: 10mm dia or less
Plug Connector Outer Diameter	: 5.5mm dia.
Plug Connector Inner Diameter	: 2.1mm dia.



3. Communication Specifications

3.1. Communication Set Up

When sending a command to this product, set the communication port as shown below depending on the operation mode.

	Normal Operation Mode	PHU Compatible Mode
Communication Specification	RS-232C Compliant	
Baud Rate	9600bps	19200bps
Data Length	8 bit	
Stop Bit	1 bit	
Parity	None	
Flow Control	None	

3.2. Normal Operation Mode

Normal Operation Mode can control the Signal Tower and buzzer by sending ASCII data to this product in the following format.

3.2.1. Frame Format

Below, the transmit data format is explained. Because the Identification Number (hereafter, referred to as "ID") is recorded inside this product, the ID will not change, even if the power is turned off.

	Header	ID *	Command	Data	End Code
Send Data	ASCII Code [HEX Code]	@ [40H]	?? [3FH 3FH]	Refer to the command list	! [21H]
Byte Count	1Byte	2Byte	1Byte	0~6Byte	1Byte

* ID (default setting= "??") set up for this product is as follows.

Refer to "3.2.2.3. <Set ID for this product>" on how to change the ID. Normally using "??" allows execution of commands irrespective of the main unit ID.

3.2.1.1. <Comand List>

The list of commands and functions which can be used is shown in the table below.

Command		Number of Data Bytes	Function
ASCII	Hex		
1	[31H]	2 Bytes	Turns on a specified Signal Tower light and sounds the buzzer
0	[30H]	2 Bytes	Turns off a specified Signal Tower light and stops the buzzer
?	[3FH]	2 Bytes	Changes the ID.
S	[53H]	6 Bytes	Controls the Signal Tower and buzzer operation.
G	[47H]	0 Bytes	Acquires the Signal Tower and buzzer conditions
C	[43H]	0 Bytes	Switches off the Signal Tower lights and buzzer.
M	[4DH]	0 Bytes	Acquires information from the Signal Tower

MEMO

- The command is compatible with PHE-3FB2.
- Commands "1" and "0" are compatible with PHE-3FBE1.
- Since the "S" command can control Flashing Pattern 2, as well as Buzzer Patterns 3 and 4, it is recommended to use the "S" command for controlling those operations for this product. When using the "S" command, do not use the "1" or "0" commands.
- After sending a control command to the Main Unit as per it's specifications, if the control commands are sent without waiting for the reply data from the Main Unit, it will not operate normally (Which is how it is supposed to operate when a NAK reply is not received).

3.2.2. Command Explanation

The following are examples on how to send each of the commands from the command list table.

3.2.2.1. <Turn on specified Signal Tower light and sound buzzer>

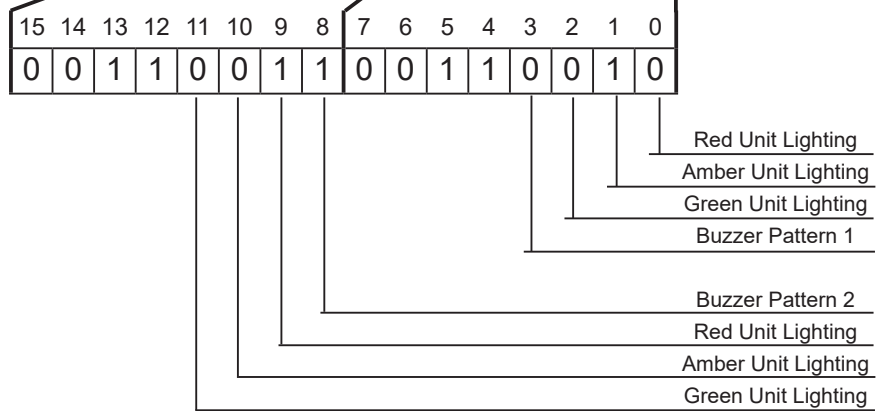
Sending ASCII data in the following form will control the specified Signal Tower light to turn on and sound the buzzer. The bit in the data section is specified as "0", of which the Signal Tower and buzzer will maintain their condition, and the bit in the data section specified as "1" will turn off the Signal Tower lights and sound the buzzer.

[Transmission Example]

In this example, the Signal Tower red shall flash, amber will light up, and buzzer pattern 2 shall sound.

- Send Data

Header	ID		Command	Data			End code
@ [40H]	? [3FH]	? [3FH]	1 [30H]	3 [33H]	2 [32H]	!	[21H]



- Reply Data
Normal Response

Data
ACK [06H]

- Response Error

Data
NAK [15H]

The following are conditions in which will get a NAK reply, and the error contents are as follows.

Transmission Condition	Error Contents
Command Error	When commands other than a command from the list are specified
Data error	When the data outside of 0[30H] - ?[3FH], is specified
Data size error	When the number of bytes in the send data is different
Timeout	When the reply interval for every byte exceeds 5 seconds after receiving a header

*Do not transmit the following command, before this product transmits reply data. It may not operate normally.

MEMO

- If Lighting and Flashing are used simultaneously by the same unit, Lighting will take priority.
- If Buzzer pattern 1 and Buzzer pattern 2 are used simultaneously, Buzzer pattern 1 will take priority.

3.2.2.2. <Turn off specified Signal Tower light and stop buzzer sound>

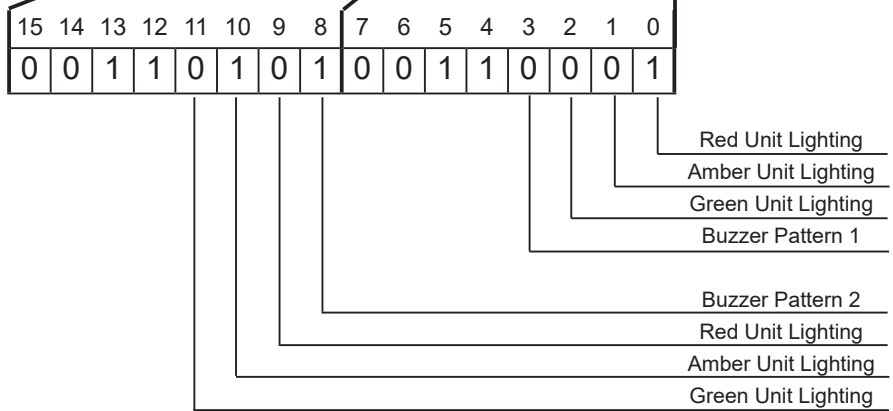
Sending ASCII data in the following form will control the specified Signal Tower light to turn off and stop the buzzer. The bit in the data section is specified as "0", of which the Signal Tower and buzzer will maintain their condition, and the bit in the data section specified as "1" will turn off the Signal Tower lights and stop the buzzer.

[Transmission Example]

In this example, the Signal Tower red flashing and amber lighting shall be turned off, and buzzer pattern 2 shall stop.

- Send Data

Header	ID		Command	Data			End code
@ [40H]	? [3FH]	? [3FH]	0 [30H]	5 [35H]	1 [31H]	! [21H]	



- Reply Data
Normal Response

Data
ACK [06H]

- Response Error

Data
NAK [15H]

The following are conditions in which will get a NAK reply, and the error contents are as follows.

Transmission Condition	Error Contents
Command Error	When commands other than a command from the list are specified
Data error	When the data outside of 0[30H] - ?[3FH], is specified
Data size error	When the number of bytes in the send data is different
Timeout	When the reply interval for every byte exceeds 5 seconds after receiving a header

*Do not transmit the following command, before this product transmits reply data. It may not operate normally.



3.2.2.3. <Set ID for this product>

Sending ASCII data in the following form will change the ID of this product. Two ASCII bytes are designated in the data section to change to a new ID. The configuration range for each byte of data in the data section can set up from 0 [30H] to ? [3FH].

[Transmission Example]

In this example, the ID set at 56 [35H 36H] shall be changed to 21 [32H 31H].

- Send Data

Header	ID		Command	Data		End Code
@ [40H]	5 [35H]	6 [36H]	? [3FH]	2 [32H]	1 [31H]	! [21H]

- Reply Data
Normal Response

Data
ACK [06H]

Response Error

Data
NAK [15H]

The following are conditions in which will get a NAK reply, and the error contents are as follows.

Transmission Condition	Error Contents
Command Error	When commands other than a command from the list are specified
Data error	When the data outside of 0[30H] - ?[3FH], is specified
Data size error	When the number of bytes in the send data is different
Timeout	When the reply interval for every byte exceeds 5 seconds after receiving a header

*Do not transmit the following command, before this product transmits reply data. It may not operate normally.

3.2.2.4. <Control Signal Tower and buzzer operation>

Sending ASCII data in the following form will transmit data to control the Signal Tower and buzzer.

[Transmission Example]

In this example, the red is turned on, amber maintains it's condition and green is turned off on the specified Signal Tower, and the buzzer sounds Pattern 4.

- Send Data

Header	ID		Command	Data						End Code
				Signal Tower *1			Unused *2	Buzzer *3		
				Red	Amber	Green				
@ [40H]	? [3FH]	? [3FH]	S [53H]	1 [31H]	9 [39H]	0 [30H]	-	-	4 [34H]	! [21H]

*1 List of specified data for Signal Tower

Command		Function
ASCII	Hex	
0	[30H]	Turns Signal Tower Lighting off
1	[31H]	Turns Signal Tower Lighting on
2	[32H]	Turns on Signal Tower Flashing Pattern 1
3	[33H]	Turns on Signal Tower Flashing Pattern 2
9	[39H]	No Change in Conditon

*2 This value is undefined.

*3 List of specified data for buzzer

Command		Function
ASCII	Hex	
0	[30H]	Mutes the Buzzer
1	[31H]	Turns on Buzzer Pattern 1
2	[32H]	Turns on Buzzer Pattern 2
3	[33H]	Turns on Buzzer Pattern 3
4	[34H]	Turns on Buzzer Pattern 4
9	[39H]	No Change in Conditon

- Reply Data

Normal Response

Data
ACK
[06H]

Response Error

Data
NAK
[15H]

The following are conditions in which will get a NAK reply, and the error contents are as follows.

Transmission Condition	Error Contents
Command Error	When commands other than a command from the list are specified
Data error	When the data outside of 0[30H] - ?[3FH], is specified
Data size error	When the number of bytes in the send data is different
Timeout	When the reply interval for every byte exceeds 5 seconds after receiving a header

*Do not transmit the following command, before this product transmits reply data. It may not operate normally.

3.2.2.5. <Acquire Signal Tower and buzzer conditions>

When ASCII data is transmitted in the following format, the reply data will return with a 6 byte ASCII value to indicate the Signal Tower and buzzer status.

[Transmission Example]

In this example, the acquired data obtained indicate the condition in which red is "off", amber is "on" and green is flashing pattern 2 on the signal tower, with the buzzer sounding pattern 3.

- Send Data

Header	ID		Command	End Code
@ [40H]	? [3FH]	? [3FH]	G [47H]	! [21H]

- Reply Data

Normal Response

Signal Tower *1			Unused		Buzzer *2
Red	Amber	Green			
0 [30H]	1 [31H]	3 [33H]	0 [30H]	0 [30H]	3 [33H]

*1 List of reply data for Signal Tower

Command		Function
ASCII	Hex	
0	[30H]	Signal Tower Lighting is turned off
1	[31H]	Signal Tower Lighting is turned on
2	[32H]	Signal Tower Flashing Pattern 1 is turned on
3	[33H]	Signal Tower Flashing Pattern 2 is turned on
9	[39H]	No Change in Condition

*2 List of reply data for buzzer

Command		Function
ASCII	Hex	
0	[30H]	Buzzer is muted
1	[31H]	Buzzer Pattern 1 is turned on
2	[32H]	Buzzer Pattern 2 is turned on
3	[33H]	Buzzer Pattern 3 is turned on
4	[34H]	Buzzer Pattern 4 is turned on

Response Error

Data
NAK [15H]

The following are conditions in which will get a NAK reply, and the error contents are as follows.

Transmission Condition	Error Contents
Command Error	When commands other than a command from the list are specified
Data size error	When the number of bytes in the send data is different
Timeout	When the reply interval for every byte exceeds 5 seconds after receiving a header

*Do not transmit the following command, before this product transmits reply data. It may not operate normally.

3.2.2.6. <Turn off Signal Tower light and stop the buzzer>

Sending ASCII data in the following form will control the Signal Tower light to turn off and stop the buzzer.

[Transmission Example]

In this example, the Signal Tower lights are turned off and the buzzer is stopped.

- Send Data

Header	ID		Command	End Code
@ [40H]	? [3FH]	? [3FH]	C [43H]	! [21H]

- Reply Data

Normal Response

Data
ACK [06H]

Response Error

Data
NAK [15H]

The following are conditions in which will get a NAK reply, and the error contents are as follows.

Transmission Condition	Error Contents
Command Error	When commands other than a command from the list are specified
Data size error	When the number of bytes in the send data is different
Timeout	When the reply interval for every byte exceeds 5 seconds after receiving a header

*Do not transmit the following command, before this product transmits reply data. It may not operate normally.



3.2.2.7. <To obtain information on this product>

When ASCII data in the following format is sent, acquired information, such as the version, ID, switch settings and Buzzer switch of this product will have a 6 byte ASCII reply.

[Transmission Example]

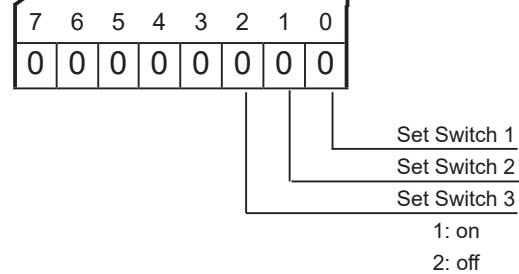
- In this example, the reply data indicates the latest version is 1.01, ID is “??”, and the condition of all setting switches and Buzzer switch is OFF.

- Send Data

Header	ID		Command	End code
@ [40H]	? [3FH]	? [3FH]	M [4DH]	! [21H]

- Reply Data
Normal Response

Product Information					
Version		ID		Set Switch	Buzzer switch*
[01H]	[01H]	? [3FH]	? [3FH]	[00H]	[00H]



*1 List of reply data for Signal Tower		
Command		Function
ASCII	Hex	
0	[30H]	Signal Tower Lighting is turned off
1	[31H]	Signal Tower Lighting is turned on
2	[32H]	Signal Tower Flashing Pattern 1 is turned on
3	[33H]	Signal Tower Flashing Pattern 2 is turned on
9	[39H]	No Change in Conditon

Response Error

Data
NAK [15H]

The following are conditions in which will get a NAK reply, and the error contents are as follows.

Transmission Condition	Error Contents
Command Error	When commands other than a command from the list are specified
Data size error	When the number of bytes in the send data is different
Timeout	When the reply interval for every byte exceeds 5 seconds after receiving a header

*Do not transmit the following command, before this product transmits reply data. It may not operate normally.

3.3. Flash/Alarm Patterns

3.3.1. LED Pattern

Three kind of operating patterns for this product is available, such as continuous lighting, Flashing pattern 1, and Flashing pattern 2. Below is the description of the timing for the operation:

Continuous "ON"



Flashing Pattern 1 [Repetitive 800ms "ON"; 800ms "OFF"]



Flashing Pattern 2 [Repetitive 120ms "ON", 280ms "OFF", 120ms "ON", 280ms "OFF"; 1080ms "OFF"]



4

3.3.2. Buzzer Pattern

Four kind of buzzer sounds, such as; Buzzer pattern 1, Buzzer pattern 2, Buzzer pattern3, and Buzzer pattern4, are available to distinguish a variety of conditions with the use of audible and visual warnings. Below is the description of the timing for the operation:

Buzzer Pattern 1 [Repetitive 40ms "ON"; 40ms "OFF"]



Buzzer Pattern 2 [Repetitive 800ms "ON"; 800ms "OFF"]



Buzzer Pattern 3 [Repetitive 240ms "ON", 160ms "OFF", 240ms "ON"; 960ms "OFF"]



Buzzer Pattern 4 [Continuous "ON"]



3.4. PHU Compatibility Mode

PHU compatibility mode is the mode which can control a Signal Tower by using the same commands as the PHU by connecting a USB cable with this product and transmitting PHU-3 type control commands to this product.

3.4.1. Frame Format

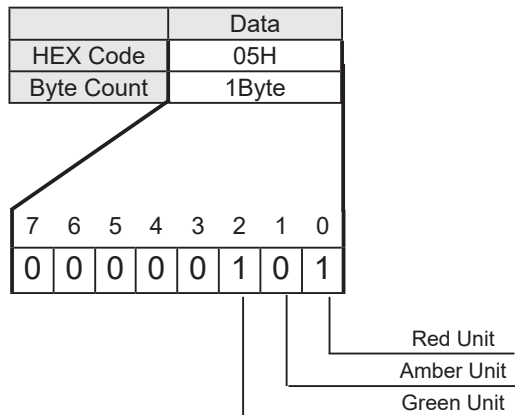
The turning on and off of each Signal Tower color can be controlled by sending data, in the following format, to this product by transmitting data from the connected equipment.

The last three data bits are for the Signal Tower lighting control.

[Transmission Example]

In this example, the Signal Tower red and green are switched on and the amber is turned off.

- Send Data



1: Lighting on
2: Lighting off

- Reply Data
No reply data.



Caution

- Communicate with the communication configuration as per the contents of “3.1. Communication Set Up”.
- Do not connect the RS-232C cable during operation in PHU Compatibility Mode. It may cause a malfunction.

MEMO

- There is no compatibility with the driver software of the PHU-3 Model. Install the exclusive driver for this product separately.

4. Specifications

Model		PHE-3FB3-RYG (AC Adaptor included)		
		PHE-3FB3N-RYG (AC Adaptor not included)		
Rated Voltage		24VDC (Main Unit) 5VDC (USB Bus Power)		
AC Adaptor		Input: 100VAC - 240VAC (50/60Hz) Output: 24VDC		
Operating Voltage Range		90VAC - 264VAC (AC Adaptor)		
Rated Power Consumption	Standby	1.2W (100VAC)	0.9W (24VDC)	0.2W (5VDC)
	Maximum	4.4W (100VAC)	3.9W (24VDC)	1.4W (5VDC)
Operating Ambient Temperature		0°C - +40°C (No Dew or Condensation)		
Operating Ambient Humidity		20% - +85% RH (No Dew or Condensation)		
Storage Ambient Temperature		-10°C - +60°C (No Dew or Condensation)		
Storage Ambient Humidity		20% - +85% RH (No Dew or Condensation)		
Mounting Location		Indoor Only		
Mounting Direction		Upright		
Protection Rating		IP 20		
Insulation Resistance		More than 10MΩ at 500VDC between live part and non-current carrying metallic part *1		
Withstand Voltage		1500VAC applied for 1min (10mA or less) between live part and non-current carrying metallic part without breaking insulation *1		
Mass (Tolerance ±10%)		545g (AC Adaptor not include)		
Outer Dimensions		Refer to the Outer Dimension Drawing		
Sound Pressure Level		80dB or more		
Environmental Condition		Front direction from the center, at 1m		
Interface	USB Port	USB2.0 Conformity (Bus-powered) Standard Type (Female)		
	Serial Port	RS-232C Conformity D-Sub 9 pin (Male)		
Communication method	USB Port	CDC (Communication Device Class) protocol		
	Serial Port	Asynchronous (Baud Rate: 9600bit/s, No Parity, Stop bit: 1bit, Data length: 8bit, No Flow control)		
Signal Light		Clear Lens Type		
Operating portion		"Clear" Switch, "Set" Switch, "Buzzer" Switch		
Accessories		AC Adaptor *1, Installation Manual, Rubber feet (4 pcs.), Sound Reduction sheet		
Option		Tint Film (NHP-TF)		
Remark		*1 : N type excluded		

4

5. Maintenance and Inspection

Cleaning

- When cleaning, be sure to disconnect the power before doing so.
- The cleaning of this product should be with a soft cloth and a neutral detergent (such as dish soap), diluted with water and should be wiped lightly. Since it is easy to crack the surface of the product when wiping with too much strength, be careful.
- Do not wipe this product with volatile chemicals, or chemically treated dustcloths containing benzene, thinner, etc.
- Do not wipe with a cloth containing too much moisture. If moisture gets inside the product, it can cause short circuiting, electric shock, or fire.
- Periodically remove dust from the electric socket to prevent a fire hazard. By allowing dust to adhere to the power supply contacts, it can be the result of fire or failure from short-circuiting.

Inspection

- Refer to the list below and check the following contents when inspecting this product.

Inspection Checklist		Inspection Contents
Supplied Power Source	Power Supply Voltage Tolerance	Tolerable Voltage Range should be from AC100 to 240V
Surrounding Environment	Ambient Temperature	Operating Temperature Range should be from 0 to 40oC
	Ambient Humidity	Operating Humidity Range should be 20 to 80% RH
	Presence of Dust	No dust should be accumulated

6. Replacement Parts Option Parts

6.1. Replacement Parts

The repair parts of this product are as follows. when repair parts are needed, contact your PATLITE sales representatives.

Table 6.1 Replacement Parts of PHE

Parts
Rubber Feet
AC Adaptor(1 plug) *
Sound Reduction sheet

* Replacement plug is not included in the AC adapter (1 plug) of repair parts.

Please purchase our AC adapter (ADP-001) when you need AC adapter with replacement plug included.

⚠ Caution	
❗	<ul style="list-style-type: none"> • Only use the replacement parts when making a repair where there is a part failure. • Prior to exchanging, be sure to extract all cables and check that the power source is OFF.

6.2. Option Parts

This product has the following optional items.

Table 6.2 Option Parts

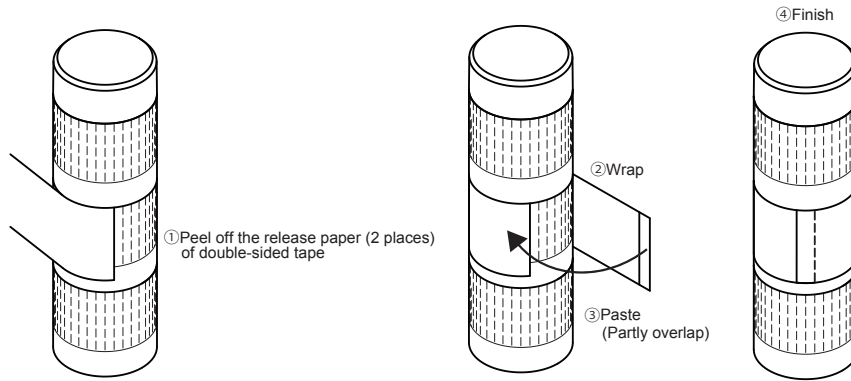
Parts	Model
Tint Film	NHP-TF

6.2.1. Tint Film

Tint Film is a film that suppresses brightness when the LED unit is dazzling.

⚠ Caution	
⊘	<ul style="list-style-type: none"> • When removing dirt, oil and moisture, please do not wipe it up by volatile medicine and a chemical dustcloth of a benzine and a paint thinner. It may cause deformation or product failure. • Be careful as the LED unit can not be removed if Tint Film is pasted across a plurality of LED units. • Do not reuse the pasted Tint Film. The adhesive force of the double-sided tape decrease.
❗	<ul style="list-style-type: none"> • When sticking a Tint film, please remove dirt, oil and moisture. • Please use it as described in the instruction manual.

Please paste Tint Film by the following procedure.



6.3. About LED Unit and Buzzer Unit

To purchase the LED unit and buzzer unit, please purchase the LR type LED unit and buzzer unit shown in the table below.

Table 6.3 LED Unit and Buzzer Unit List

Parts	Model
LED Unit red	LR4-E-RZ
LED Unit Amber	LR4-E-YZ
LED Unit Green	LR4-E-GZ
Buzzer Unit	LR4-BW

5

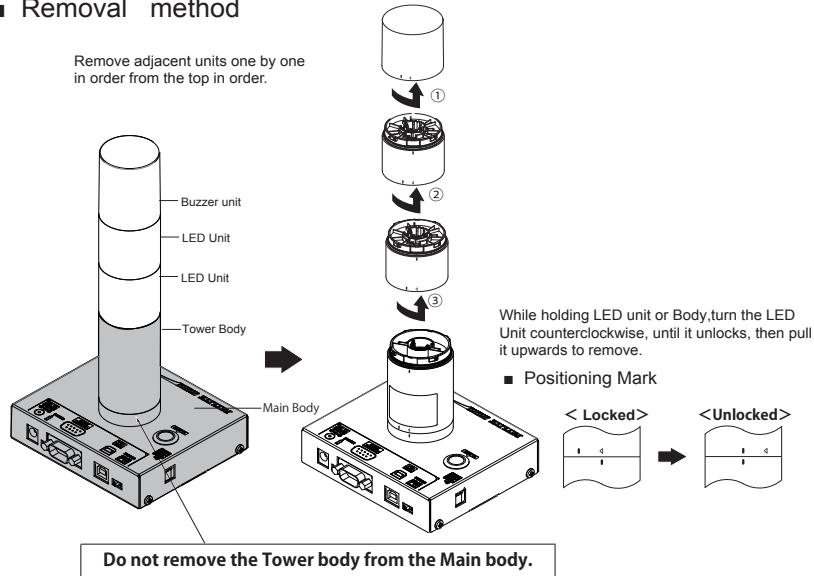
6.3.1. How to attach and detach LED Unit and Buzzer Unit

To rearrange the arrangement of the LED units, etc., perform the following procedure.

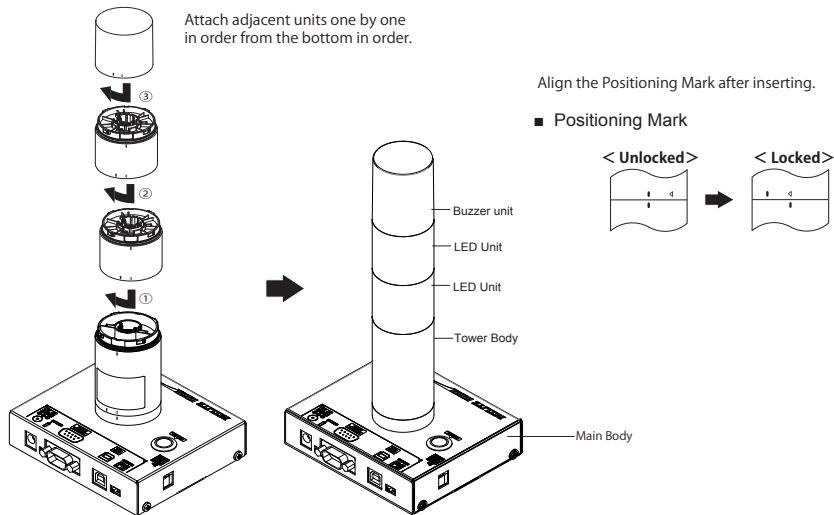
⚠ Warning	
⊘	<ul style="list-style-type: none"> • The maximum number of attachment units per product are three LED units and one buzzer unit. Do not attach more units. • Do not attach same color LED units to one product at the same time. • Do not remove the body from the main body. Failure to comply may result in failure to this product.
❗	<ul style="list-style-type: none"> • Be sure the power is disconnected before working on this product.

⚠ Caution	
⊘	<ul style="list-style-type: none"> • Do not apply excessive strength with each unit or body. Failure to comply may damage the unit. • Do not touch the connector area or the inside of the body and LED unit. Failure to comply may damage the unit. • Do not attach the buzzer unit used for other products to this product.
!	<ul style="list-style-type: none"> • Be sure to lock each unit securely when attaching. Failure to comply may damage the unit. • Detach the unit in the following manner. Any other method may result in damaging the product • Set the DIP switch when attaching the buzzer unit. Refer to "2.6. Volume adjustment"

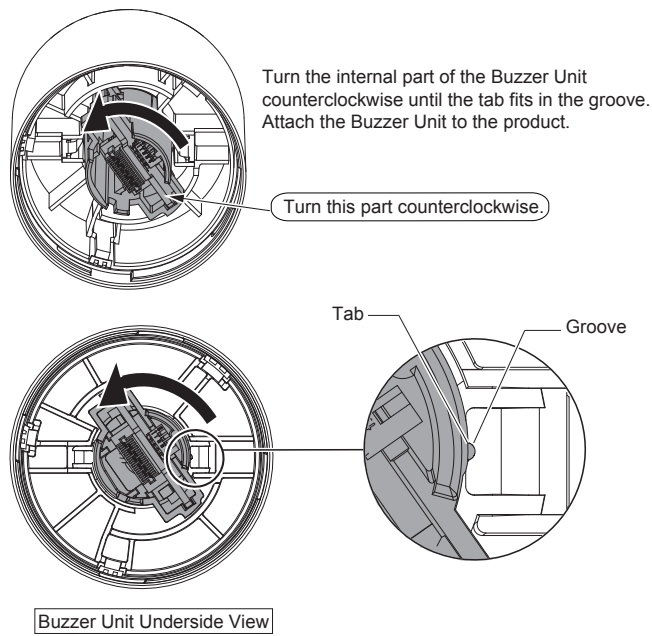
■ Removal method



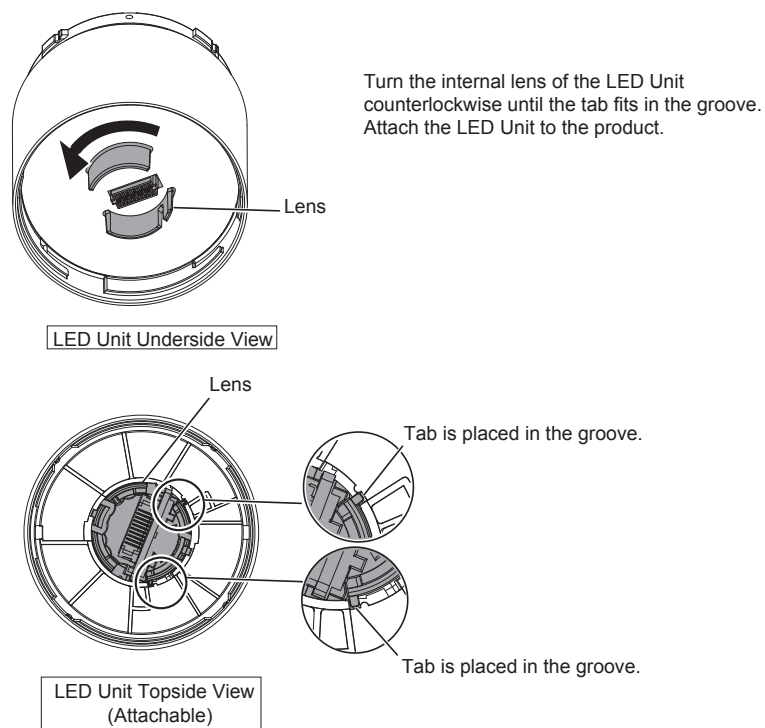
■ Attachment method



If the Buzzer Unit can't be attached, try the procedure below.



If the LED Unit can't be attached, try the procedure below.



MEMO

Regarding how to attach and detach the LED unit, it is also listed in the product manual of the signal tower (LR series).

7. Troubleshooting

Problem	Check the following
Power supply LED is not illuminated.	Make sure that the AC adapter is connected properly. Refer to "2.7. Power Activation"
	Make sure that the USB cable is connected properly. Refer to "2.3. USB Port Wiring" In case the USB hub is used, there is a possibility that the power supply from the PC is not sufficient. Refer to "2.7. Power Activation"
The Signal Tower is bright (or dazzling)	Use "Tint Film (NHP-TF)" (optional parts)
The Signal Tower is dark	Use the AC adapter. The Signal Tower may be dark in operation with USB bus power. Refer to "2.7. Power Activation"
The Signal Tower is not turned on	Make sure that setting switch is in Normal Operation Mode or PHU Compatibility Mode. Refer to "2.4. "Set" Switch"
	Send the following command after receipt of responding data from the main body. Refer to "3.2. Normal Operation Mode"
	Make sure that the communication configuration is configured properly. Refer to "3.2. Normal Operation Mode"
	Make sure that the AC adapter is connected properly. Refer to "2.7. Power Activation"
	Make sure that a straight cable is used. Refer to "2.3. USB Port Wiring"
The buzzer does not sound	Make sure that the volume switch is not OFF. Refer to "2.5. Volume Switch"



PATLITE

PATLITE Corporation G2J

PATLITE Corporation ※Head office	■ www.patlite.com/
PATLITE (U.S.A.) Corporation	■ www.patlite.com/
PATLITE Europe GmbH ※Germany	■ www.patlite.eu/
PATLITE (SINGAPORE) PTE LTD	■ www.patlite-ap.com/
PATLITE (CHINA) Corporation	■ www.patlite.cn/
PATLITE KOREA CO., LTD.	■ www.patlite.co.kr/
PATLITE TAIWAN CO., LTD.	■ www.patlite.tw/
PATLITE (THAILAND) CO., LTD.	■ www.patlite.co.th/
PATLITE MEXICO S.A. de C.V.	■ www.patlite.com.mx/