

Specifications

Model		LA6- □□□□□□ - □				
Rated Voltage		24 V DC/AC 100 - 240V (50/60 Hz)				
Operating Voltage Range		±10% of Rated Voltage/ AC90 - 250V (50/60 Hz)				
Rated Power Consumption	Standard	LA6-5D □□ N-RYGBC	5W	LA6-5D □□ B-RYGBC	6.5W	
		LA6-3D □□ N-RYG	3.5W	LA6-3D □□ B-RYG	4.5W	
	Maximum	LA6-5AWJWB-RYGBC	6.5W			
		LA6-5D □□ N-YYYY	7.0W	LA6-5D □□ B-YYYY	8.0W	
		LA6-3D □□ N-YYY	4.5W	LA6-3D □□ B-YY	5.5W	
Test Conditions		Power consumption test with alarm set at "Alarm Sound No. 1" at maximum volume.				
Signal Wire Current		70mA maximum				
Operating Ambient Temperature		-25°C to +60°C				
Operating Humidity Range		Less than 90% RH (No Dew or Condensation)				
Mounting Location/Direction		Indoor Only in the upright/inverted direction				
Protection Level		IP65 (With alarm: IP54) IEC 60529				
Test Conditions		Installed in an upright position				
Vibration Resistance		LA6- □□ LJ □□	Sweep Durability: Total Amplitude: 0.3 mmp-p (10-57.5 Hz), Acceleration: 20.0 m/s ² (57.5-150 Hz), Fixed Pitch Durability: Accoacceleration 20.0 m/s ²			
		LA6- □□ TN □□	Sweep Durability: Total Amplitude: 0.3 mmp-p (10-57.5 Hz), Acceleration: 20.0 m/s ² (57.5-150 Hz), Fixed Pitch Durability: Accoacceleration 10.0 m/s ²			
		LA6- □□ WJ □□	Sweep Durability: Total Amplitude: 0.3 mmp-p (10-57.5 Hz), Acceleration: 20.0 m/s ² (57.5-150 Hz), Fixed Pitch Durability: Accoacceleration 10.0 m/s ²			
Test Conditions		Tested with JIS C 60068-2-6:2010 conformity while installed in an upright position.				
Insulation Resistance		More than 1Mohm at DC 500V between the power input lead and chassis.				
Display Color		Signal Tower Mode: 9 Colors Smart Mode: 21 Colors				
Withstand Voltage		500VAC for 1min between terminals and chassis without breaking insulation.				
(Typical Luminous Intensity)		Red (1000 mcd) Yellow (1700 mcd) Green (2600 mcd) Blue (1000 mcd) White (1250 mcd) Purple (800 mcd) Pink (850 mcd) Cyan (2150 mcd) Lemon (2150 mcd) * Due to characteristics of the LED element, differences in color tone and brightness of every product may occur.				
Flash Rate		60 ±2 fpm				
Alarm Sound (Typical Frequency)	No. 1	2400Hz Continuous beep	No. 2	2400Hz Rapid intermittent beep		
	No. 3	2400Hz Long intermittent beep	No. 4	2400Hz Fast intermittent beep		
	No. 5	3600Hz Continuous beep	No. 6	3600Hz Rapid intermittent beep		
	No. 7	3600Hz Long intermittent beep	No. 8	3600Hz Fast intermittent beep		
	No. 9	2400Hz & 3375Hz Multiplexed beep	No. 10	2400Hz & 3600Hz Multiplexed beep		
	No. 11	4000Hz & 4800Hz Multiplexed beep				
Sound Level		Maximum: 85dB				
Test Conditions		*Alarm Sound No. 1" measured from the front direction of the alarm opening at 1m				
Volume Control		The setup button for volume is the fourth step (Factory Default: Maximum). [Maximum] -> [-5dB drop from max. (standard)] -> [-10dB drop from max. (standard)] -> [OFF] (-> Returns to [Maximum])				
Data Transfer	Main Unit	USB micro-B female terminal USB 2.0/1.1; Interface, Transmission Rate: USB2.0/1.1/1.0				
Interface	Transfer Cable	Charge/Data transfer micro USB (not included); Connector: USB Male - USB (MicroB) male				
Application Software		Exclusive Application Software (Downloadable from our website)				
Mass (Tolerance ±10%)	LA6-3DTN □ B	480g	LA6-3DLJ □ B	980g	LA6-3DWJ □ B	450g
	LA6-3DTN □ N	420g	LA6-3DLJ □ N	930g	LA6-3DWJ □ N	400g
	LA6-5 DTN □ B	590g	LA6-5 DLJ □ B	1090g	LA6-5 DWJ □ B	560g
	LA6-5 DTN □ N	530g	LA6-5 DLJ □ N	1040g	LA6-5 DWJ □ N	510g
	LA6-5AWJ □ B	740g				
Compliance Standards	24V DC	EMC Directive (EN 61000-6-4, EN 61000-6-2), RoHS Directive (EN 50581), UL508, CSA-C22.2 No. 14, KC (KN 61000-6-4, KN 61000-6-2), FCC Part 15 Subpart B Class A				
	AC100-240V	EMC Directive (EN 61000-6-2, EN 61000-6-3)/Low-voltage Directive (IEC/EN 60947-5-1, EN 62471),RoHS Directive (EN 50581)				
Remarks	24V DC	CE Marking compliant, UL Recognized Component (File No. E215660), 60°C Maximum Surrounding Temperature Range				
	AC100-240V	CE Marking compliant				

Dimensions (Unit: mm)

TN Direct Mount/ with Terminal Block

< TN : Height >
 [5] - [B] : 320
 [3] - [B] : 264
 [5] - [N] : 290
 [3] - [N] : 224

Mounting Surface Thickness Range: 4mm or less.

※ 2 TN Type Underside View
 Cable Gland Mounting Screw Hole (M16×1.5 Effective Screw Length: 12mm)

Note) Cable gland is not included with this product.

LJ Steel Pole & 'L' Bracket / with Cable

< [D] LJ/WJ : Height >
 [5] - [B] : 320
 [3] - [B] : 254
 [5] - [N] : 280
 [3] - [N] : 214
 Alarm
 [D] [5] - [B] : 40

< [A] WJ : Height >
 [5] - [B] : 390
 Alarm
 [A] [5] - [B] : 110

Mounting Surface Thickness Range: 16mm or less.

Wire Length: 1060

WJ Direct Mount/ with Cable Connection

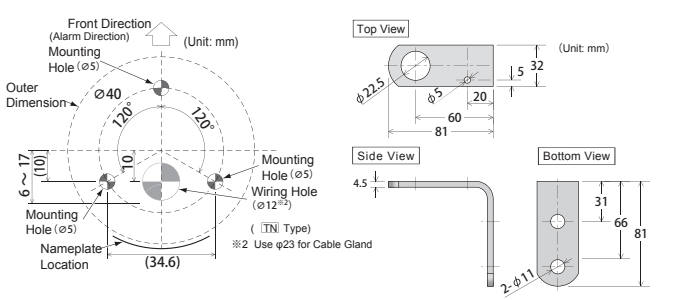
< [D] LJ/WJ : Height >
 [5] - [B] : 320
 [3] - [B] : 254
 [5] - [N] : 280
 [3] - [N] : 214
 Alarm
 [D] [5] - [B] : 40

< [A] WJ : Height >
 [5] - [B] : 390
 Alarm
 [A] [5] - [B] : 110

Mounting Surface Thickness Range: 16mm or less.

Wire Length: (1360)
 Wire Type/Gauge Power) UL2464/AWG18
 Wire Type/Gauge Signal) UL2464/AWG24

L' Bracket Dimensional Drawing



Model Code

Signal Tower LA6- [1] [2] [3] [4] [5] - [6]

Example: LA6-5DTNUB-RYGBC

- LED Tiers...5
- Rated Voltage...DC24V
- Body Color...Silver
- Mounting/Wiring...Direct Mount/Terminal Bus
- Flashing/Alarm...with Flash and Alarm
- Color...Red/Amber/Green/Blue/White

① LED Tiers ② Rated Voltage ③ Mounting/Wiring ④ Body Color ⑤ Flashing/Alarm ⑥ Color

3: 3 Tiers A: AC100-240V WJ: Direct/Cable U: Off-white B: With RYG: 3 Tiers
 5: 5 Tiers D:DC24V TN: Direct/Terminal U: Silver N: Without RYGBC: 5 Tiers
 LJ: Steel Pole & Angle/Cable

* The LED light color for each tier can be changed after purchase. * LJ type does not have a "U" (Silver) specification.