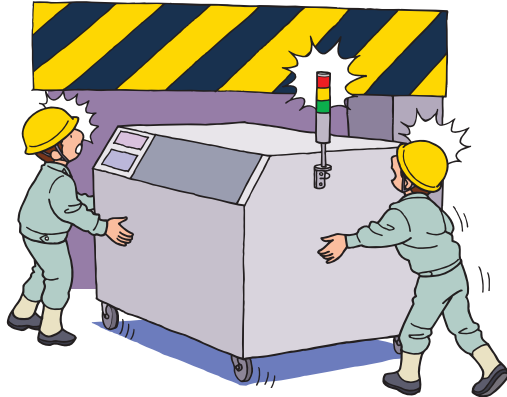


# Optional Parts

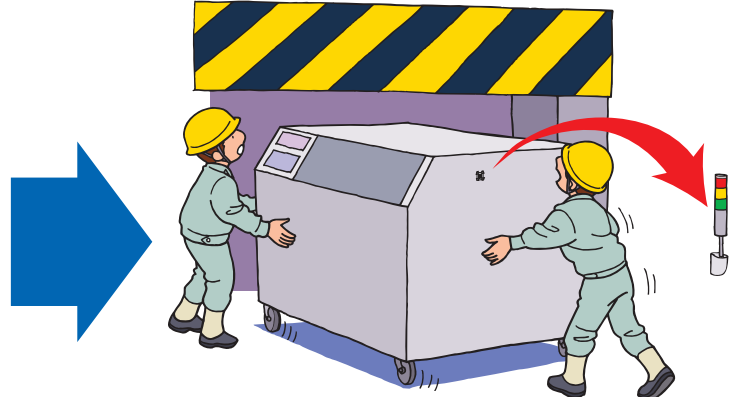
## Wall Mount Bracket

- **Avoid Potential Trouble when moving machinery!**
- **Easily removable connection! (Wiring unplugs along with it!)**
- **Easy to disconnect when needing repair!**

BEFORE ...



AFTER ...



### Easy steps to installing the bracket



Drill the holes on the machine to attach the mounting connector and bracket.



Fix the mounting parts onto the machine with the proper hardware.



Join the connectors together.



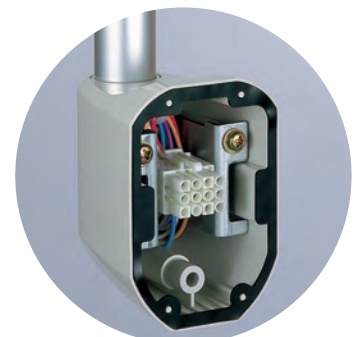
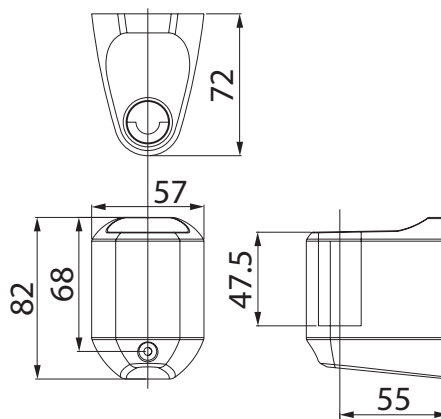
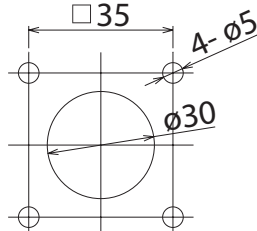
Hook the mounting bracket onto the metal tabs and attach it with the screws.

SZ-020 (For  $\phi 21.7\text{mm}$  Pole)

SZ-021 (For  $\phi 17.3\text{mm}$  Pole)



Mounting Dimensions



Wire connector SZ-020-001 (Sold Separately)