

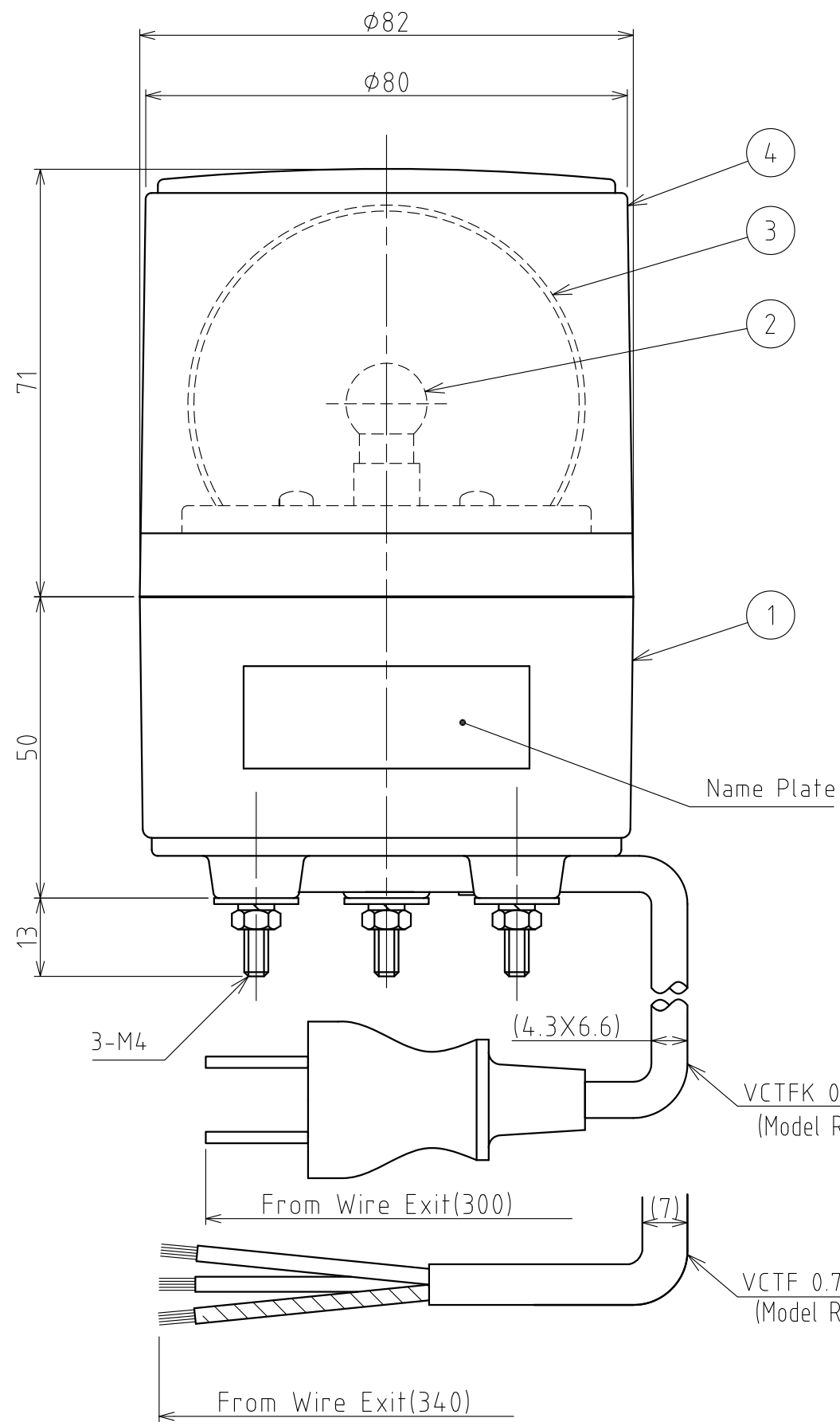
# SPECIFICATIONS

[General Specifications]

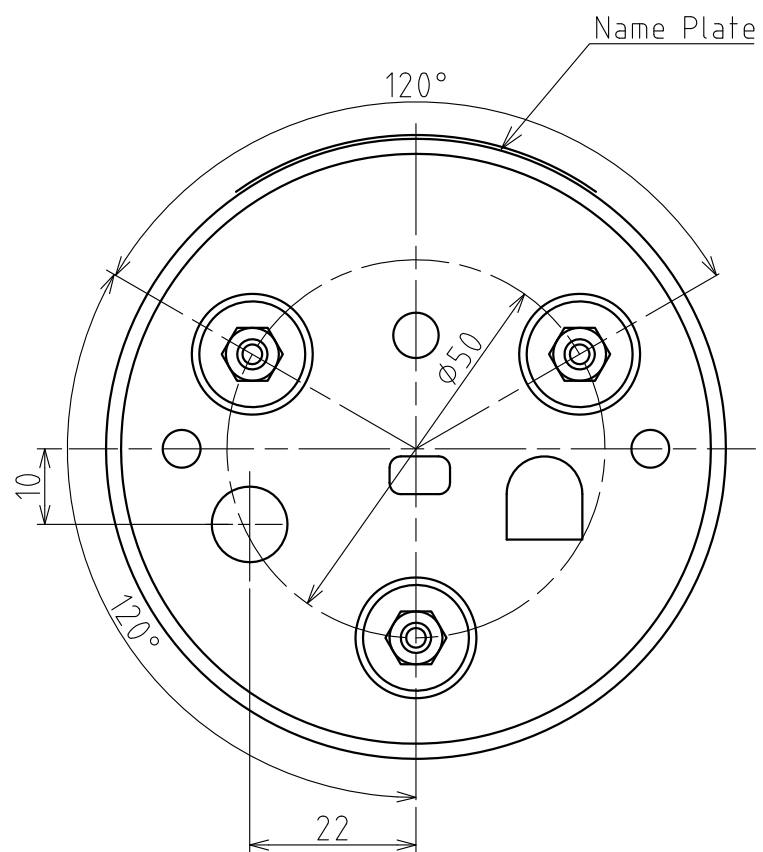
Model	RS-100	RS-220
Rated Voltage	100V AC (50/60Hz)	220V AC (50/60Hz)
Operating Voltage Range	90~110V AC	200~240V AC
Rated Current Consumption	70mA	35mA
Rated Power Consumption	7.3W	
Operating Ambient	-30 °C to +60 °C	
Operating Ambient Humidity	Less than 90% (No condensation)	
Storage Ambient	-30 °C to +60 °C	
Storage Ambient Humidity	Less than 90% (No condensation)	
Mounting Location	Indoors and Outdoors	
Mounting Direction	Indoor: Upright ,Inverted and Sideways, Outdoor: Upright	
Protection Rating	IP23 (IEC 60529)	
Environmental Condition	Upright Mounting	
Vibration Resistance	45m/s <sup>2</sup>	
Insulation Resistance	More than 1MΩ at 500VDC Between live part and non-current carrying metallic part.	
Withstand Voltage	The following applied for 1min Between live part and non-current carrying metallic part without breaking insulation.	
	1000V AC	1500V AC
Flashing Rate	120±25 Flashes Per Minute	
Bulb	12V 6W (Base type: BA9S / Bulb shape: G14)	
Luminous Intensity (No	700cd	
Mass (Tolerance ±10%)	0.6kg	
Outer Dimensions	Refer to the Outer Dimension Drawing	
Remarks	<p>Model Number Configuration</p> <p style="margin-left: 40px;">R S - □ - □</p> <ul style="list-style-type: none"> <li>● Luminous Color</li> <li>R: Red</li> <li>Y: Amber</li> <li>G: Green</li> <li>B: Blue</li> <li>● Reted Voltage</li> <li>100: 100V AC</li> <li>220: 220V AC</li> </ul>	

No.RS-100-W18A-1\_2

## PATLITE Corporation

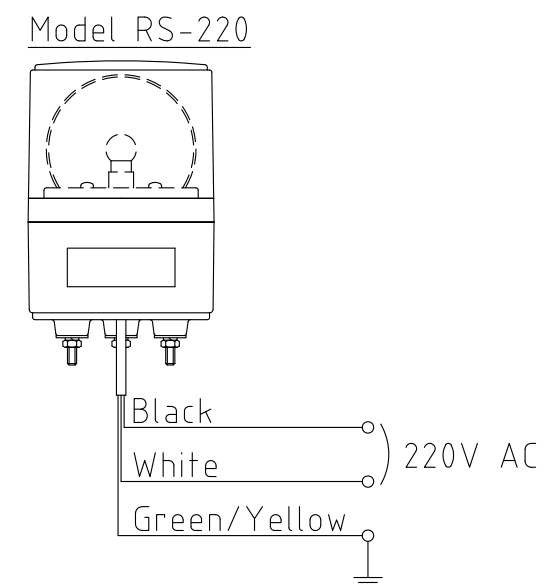
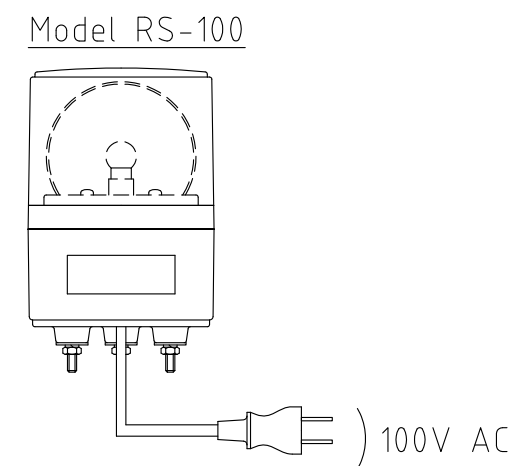


Dimensions



Bottom View

Wiring Example



Note

1. Hole  $\phi 30$  or more is required for plug's passing through.
2. For model RS-220, connect the earth wire (green/yellow wire) to ground.

4	Globe	-	1	PC (Red, Amber, Green, Blue)	
3	Reflector	-	1	PC, Aluminum Coating	
2	Bulb	-	1	(Refer to Spec.)	
1	Body	-	1	ABS (Light Gray)	
番号 No.	部品名 Part Name	品目コード Part No.	数量 Qty.	材料 & 寸法 & 処理 Material & Size & Finish	記事 Remarks

外観図面  
Outer Dimension Drawing

株式会社 パトライト  
PATLITE Corporation

RS-100-W18A-2\_2