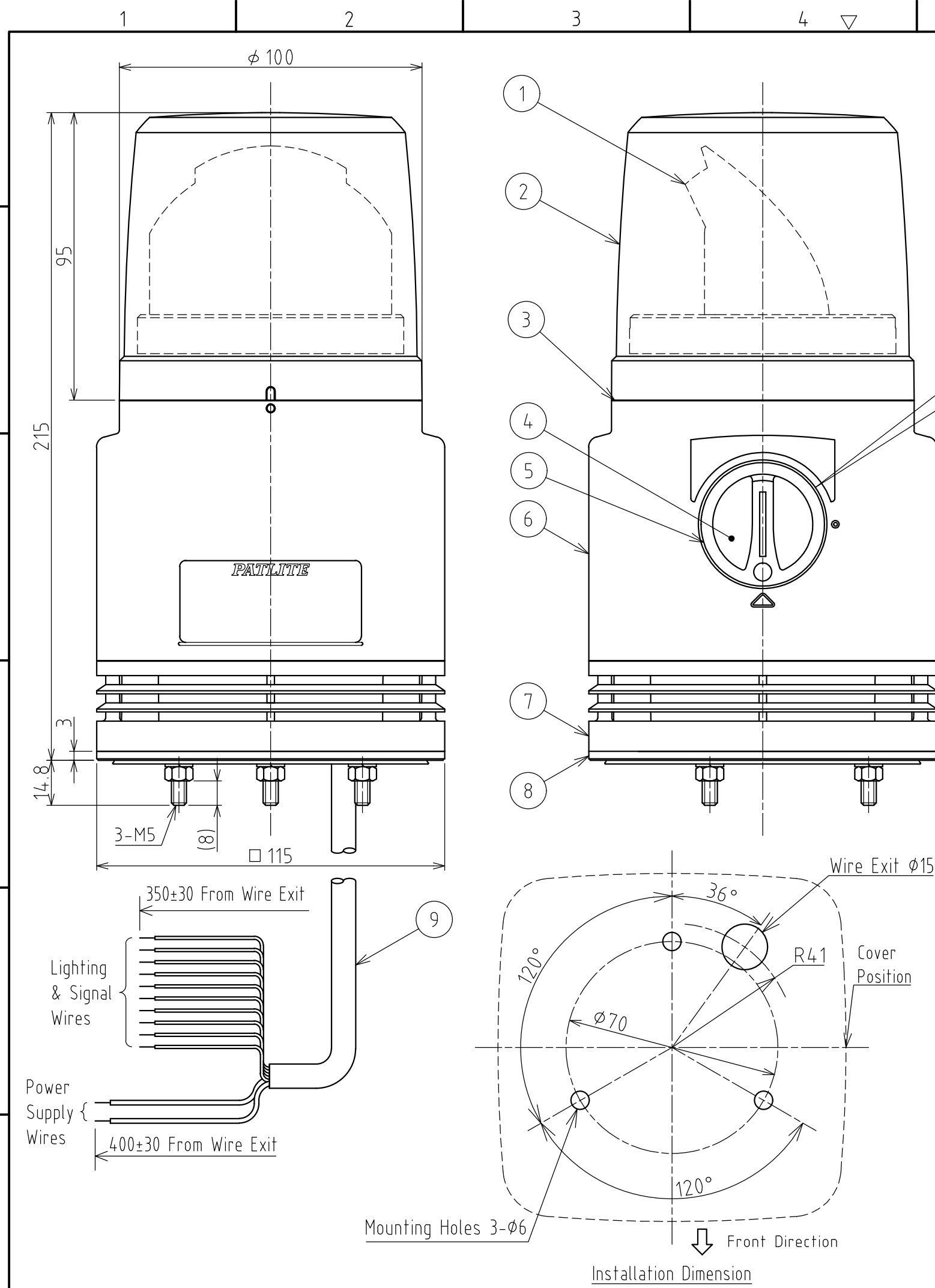


SPECIFICATIONS

[General Specifications]

Model	RFV-24F	RFV-100F	RFV-220F		
Rated Voltage	24V DC	100V AC 50/60Hz	220V AC 50/60Hz		
Operating Voltage Range	Rated Voltage $\pm 10\%$				
Power Consumption	Max.18W	Max.16W	Max.16W		
Sound Pressure Level	Max.95dB or more. Mounted to a 300mm x 300mm base at a distance of 1.0 meter in front of the base surface playing sound 0dB 1kHz Sine wave, with volume adjustable. ※Sound level of message will vary with the surrounding environment.				
Sound Reduction	Sound reduction input : $-20\text{dB} \pm 2\text{dB}$ (Sound reduction mode only)				
Audio Format	MPEG1-Audio Layer III (MP3) Standard bit rate : 64kbit/s , Fs=44.1kHz				
Playback Time	63sec (At playing of 64kbit/s , Fs=44.1kHz Monaural data)				
Internal Memory	508KByte (Total of MP3 data)				
Supported Memory Card	SD Card (SDHC,SDXC are Not supported) Recommended Parts : SDV-2GP□ (option)				
SD Card Format	FAT16				
Signal Input Method	Pulse input (Pulse width more than 100msec)				
Channel Input Type	Bit Input (Set Operation Mode Selection switch No.1: OFF / No.2: OFF)				
	Binary Input (Set Operation Mode Selection switch No.1: ON / No.2: OFF)				
	Forced playing mode (Set Operation Mode Selection switch No.1:Either ON or OFF/ No.2: ON) CH1 is played when the power is turned on. It ignores any inputs other than volume.				
Number of Playback Sounds	Bit Input : 4 / Binary Input : 15				
Playback Start Up Time	300ms or less (In case of signal line startup) 1s or less (In case of power supply startup)				
Channel Priority Order	STOP > CH4 > CH3 > CH2 > CH1 (for Bit Input Mode)				
Revolving Light	Light Source	LED			
	Color	Red	Yellow	Green	Blue
	Luminous Intenzsithpy	3,000cd or more	3,000cd or more	2,500cd or more	2,000cd or more
	Flashing Rate	115 \pm 15 Flashes Per Minute			
Operating Ambient Temperature	$-10^{\circ}\text{C} \sim 50^{\circ}\text{C}$				
Operating Ambient Humidity	Less than 85 %RH (No condensation)				
Mounting Location	Indoors and Outdoors				
Mounting Direction	Indoor : Upright and inverted mounting Use Upright if water splashing is present Outdoor : Upright direction Only				



指定公差 General tolerance		角度公差 Angular tolerance ±[°]		寸法公差 Dimensional tolerance ±[mm]						図番 Drawing No.		ページ Page	
短辺 Length of short side	長辺 Length of long side	10	50	100	6	30	120	300	1000	RFV-100F-W18		3/3	
精 f	中 m	1	0.5	0.3	0.1	0.05	0.1	0.2	0.4	0.6	改訂 Rev.	年月日 Date	改訂履歴 Revisions
粗 v	粗 c	3	1.5	1	0.5	0.3	0.5	1	1.2	2			

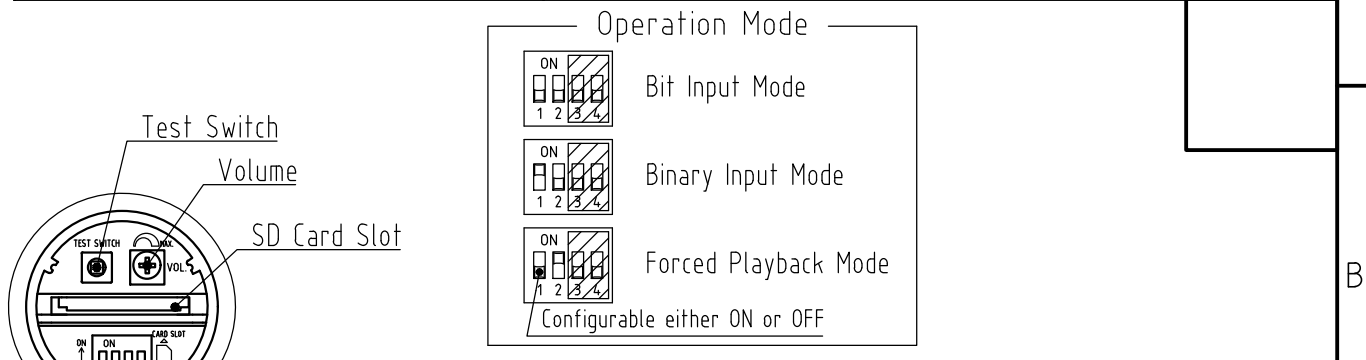
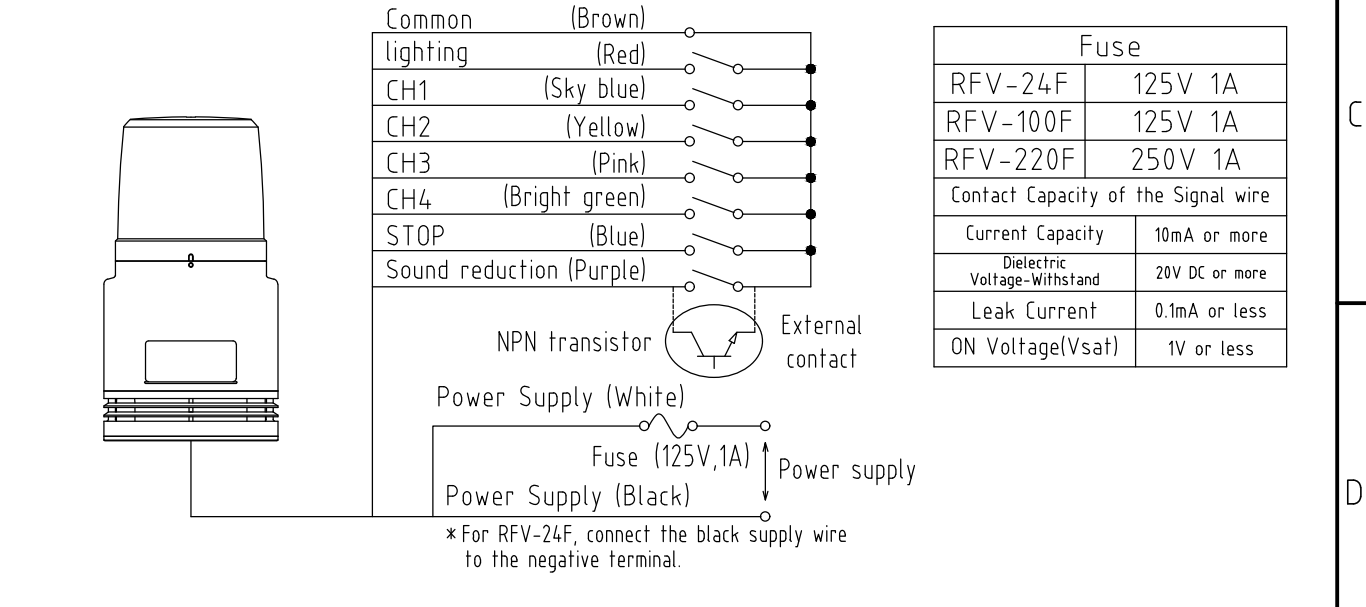


Chart 1

	Diameter	Power Supply Wires	Signal Wires
RFV-24F	φ 8.0	AWG18	AWG22
RFV-100F/220F	φ 9.0	VSF 0.75mm ²	



Wiring Example

Common	(Brown)
lighting	(Red)
CH1	(Sky blue)
CH2	(Yellow)
CH3	(Pink)
CH4	(Bright green)
STOP	(Blue)
Sound reduction	(Purple)

番号 No.	部品名 Part Name	数量 Qty.	記事 Remarks
9	Cable	1	Refer to chart 1
8	Mount rubber	1	EPDM (Optional)
7	Base	1	ABS (Light Gray)
6	Case	1	ABS (Light Gray)
5	O-ring	1	VMQ
4	Cover	1	ABS (Light Gray)
3	O-ring	1	NBR
2	Dome	1	PC (Red, Yellow, Green, Blue)
1	Reflector	1	

機種 Model	RFV-24F/100F/220F	特注 No. S.P.No.	-	図名 Name	Outer Dimensions Drawing
品目コード Part No.	-	尺度 Scale	-	三角法 3rd Angle P.	単位 Unit mm
				株式会社 パトライト PATLITE Corporation	