
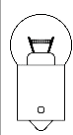

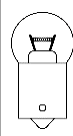



Replacement Parts List


update: July. 20, 2021


KJ	
KJB	


 	Part Name	Incandescent Bulb 12V5W 1 box, 10 pcs.
	Part Number	D01200503A-F1
	Order Qty	10 pieces
	Required Qty	2~5: Depends on the numbers of tiers.
	Related Series	Rated voltage 100V and 220V types
	Remarks	12V5W Incandescent Bulb shape: G18/BA15S It will be sold in units of 10 pieces (1 box). Ask for 10 pieces or 1 box.


 	Part Name	Incandescent Bulb 24V10W 1 box, 10 pcs.
	Part Number	D02401003A-F1
	Order Qty	10 pieces
	Required Qty	2~5: Depends on the numbers of tiers.
	Related Series	Rated voltage 24V type
	Remarks	24V10W Incandescent Bulb shape: G18/BA15S It will be sold in units of 10 pieces (1 box). Ask for 10 pieces or 1 box.


	Part Name	
	Part Number	A31300001-F1
	Required Qty	1
	Related Series	KJ KJB
	Remarks	Includes mounting screw.


	Part Name	Lens: Red
	Part Number	A31120001-1F1
	Required Qty	1~4: Depends on the numbers of tiers.
	Related Series	KJ KJB
	Remarks	


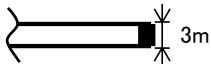
	Part Name	Lens: Amber
	Part Number	A31120001-2F1
	Required Qty	1~4: Depends on the numbers of tiers.
	Related Series	KJ KJB
	Remarks	

	Part Name	Lens: Green	
	Part Number	A31120001-3F1	
	Required Qty	1~4: Depends on the numbers of tiers.	
	Related Series	KJ KJB	
	Remarks		

	Part Name	Lens: Blue	
	Part Number	A31120001-4F1	
	Required Qty	1~4: Depends on the numbers of tiers.	
	Related Series	KJ KJB	
	Remarks		

	Part Name	Lens Packing	
	Part Number	A33410003-F1	
	Required Qty	2~5: Depends on the numbers of tiers.	
	Related Series	KJ KJB	
	Remarks		

	Part Name	Motor Assembly 10AB2K Pulley	
	Part Number	M02201022-112F1	
	Required Qty	1~4: Depends on the numbers of tiers.	
	Related Series	KJ KJB	
	Remarks	<p>"SMB-10AB2K" printed on motor nameplate . Motor replacement requires soldering. ※Products manufactured before 2000 have different motors. (Not compatible.) "SMB-10AB4K" is printed on motor nameplate. Check the motor nameplate when ordering. If the motor nameplate is "SMB-10AB4K," repair period has expired.</p>	

	Part Name	Motor Belt	
	Part Number	A51120008-F1	
	Required Qty	1~4: Depends on the numbers of tiers.	
	Related Series	KJ KJB	
	Remarks	<p>Outer diameter Φ70mm Height 3mm ※Products manufactured before 2000 use a different rubber belt. If "SMB-10AB4K" is printed on motor nameplate, this motor belt cannot be used. Check motor nameplate when ordering. If the motor nameplate is "SMB-10AB4K," repair period has expired.</p> <div style="text-align: right;"> <p>【Cross section】</p>  </div>	